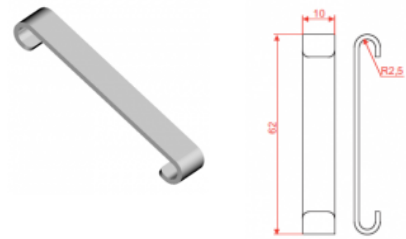


## SPSO60 Mesh tray staple

### Overview:

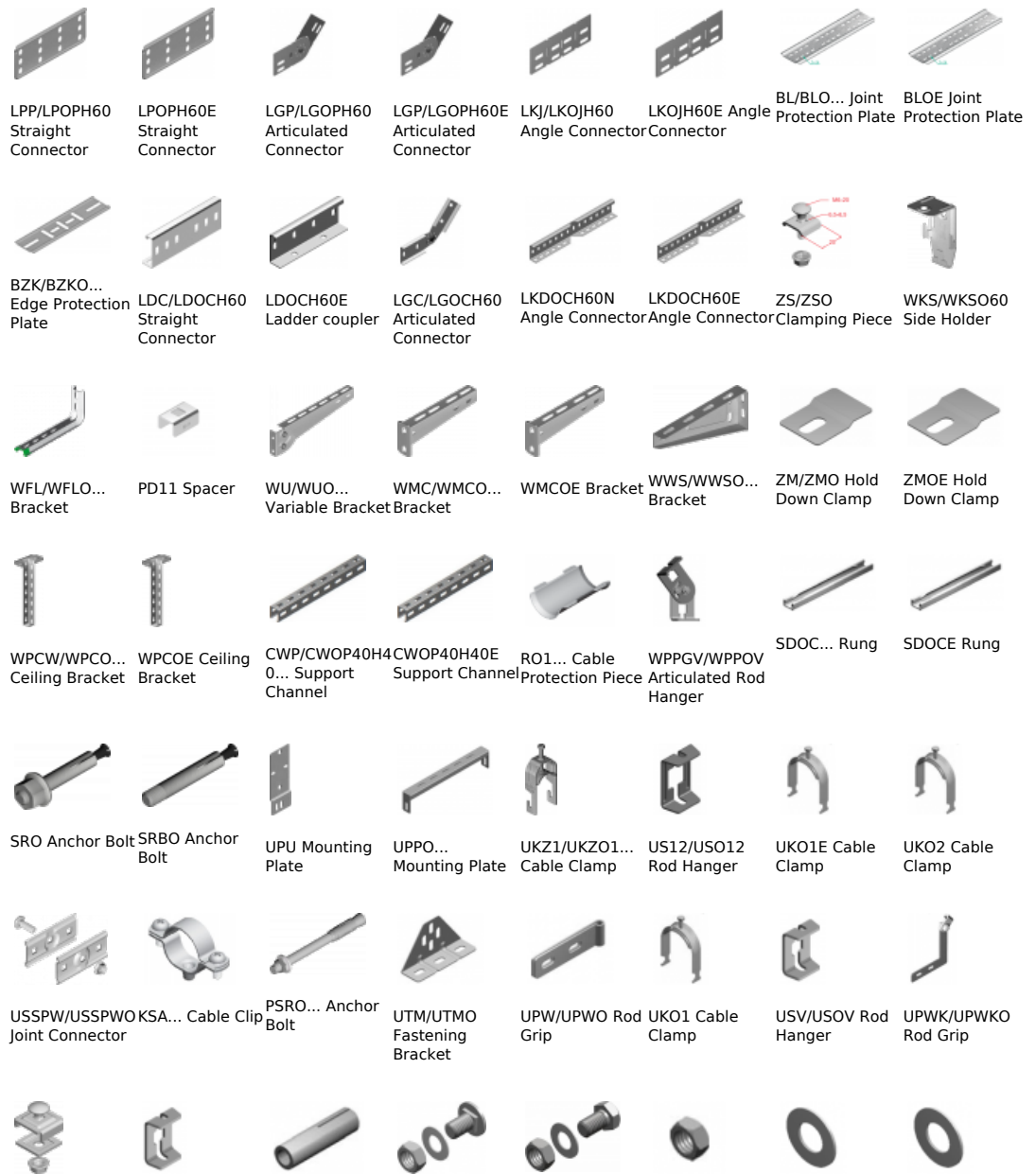


















### Versions:

Sheet thickness: **1,5 mm**

Symbol	Catalogue number	Quantity in box	Weight 1 pc.
<b>SPSO60</b>	<b>864200</b>	<b>50</b>	<b>0,01</b>
<b>SPSO60 E</b>	<b>864201</b>	<b>50</b>	<b>0,01</b>

### Connected products:



USSN/USJO Joint Connector	USOVE Rod Hanger	TRSO... Drop-In Anchor - Steel	SGN Screw Set	SM... Screw Set	NS... Nut	PP... Washer	PW... Washer
							
NLM Rod Connector	PGM... Threaded Rod	SBO... Concrete Screw	SBSO... Concrete Screw	KWBO... Nail Anchor	GSO... Ceiling Nail	KSKO... Hollow Ceiling Anchor	PYRO-SAFE KS1 Intumescent Fire Protection Coating
							
WPPOVE Articulated Rod Hanger	UNPO Fire partition-versatile						
