

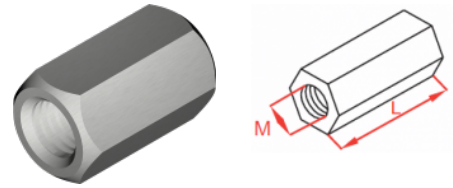
NLM Rod Connector

Overview:

Application
Suspending cable runs

Material
Electro-galv. steel (EG)

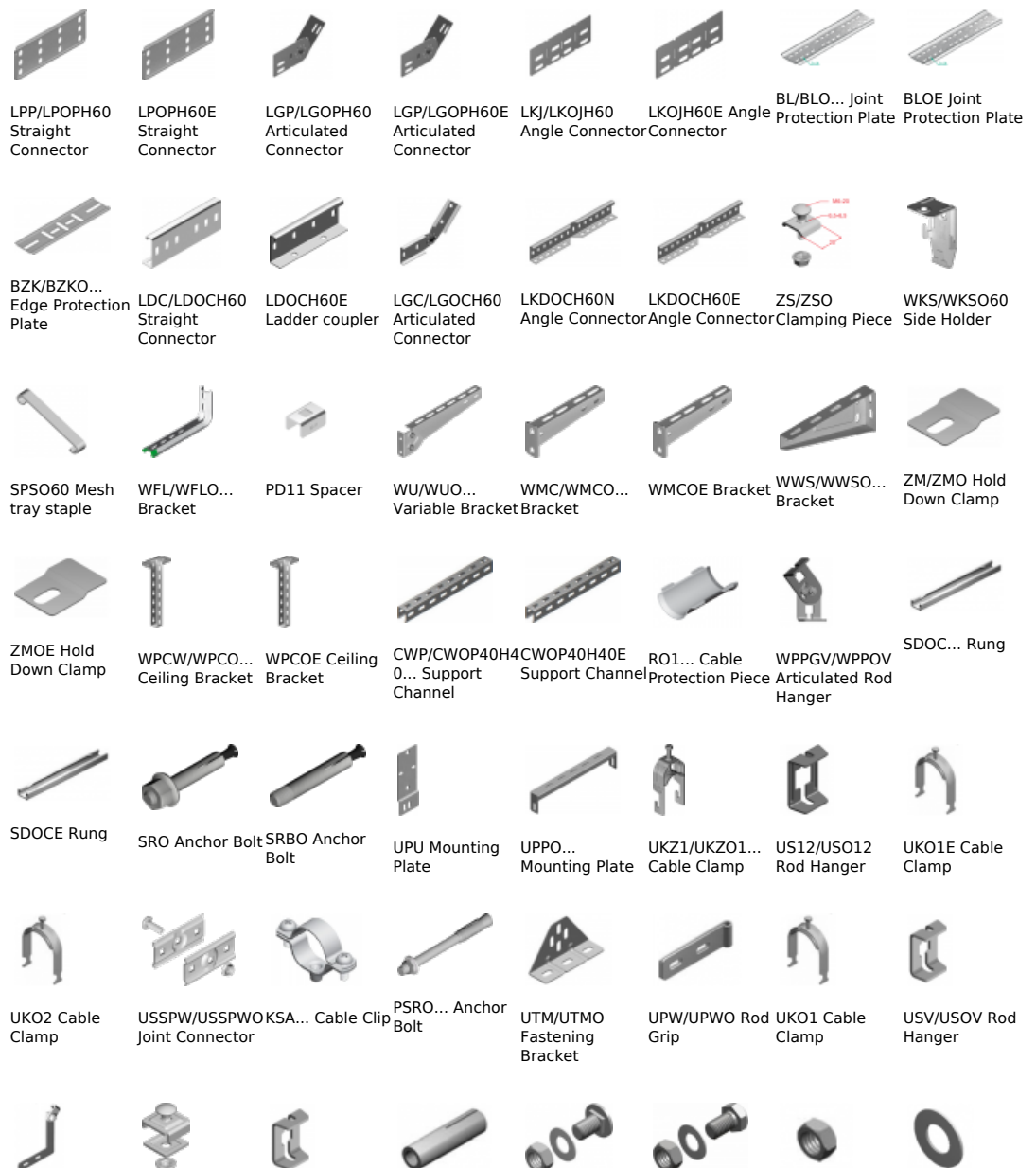
Available to order:
E- stainless steel (SS) in grades A2 /A4










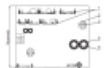








Versions:

Symbol	Length L [m]	Catalogue number	Quantity in box	Thread M [mm]
NLM6	18	650103	100	6
NLM8	24	650203	100	8
NLM10	30	650303	50	10
NLM12	36	650403	50	12
NLM8 E	24	650603	50	8
NLM10 E	30	650503	50	10

Connected products:



UPWK/UPWKO Rod Grip	USSN/USO Joint Connector	USOVE Rod Hanger	TRSO... Drop-In Anchor - Steel	SGN Screw Set	SM... Screw Set	NS... Nut	PP... Washer
							
PW... Washer	PGM... Threaded Rod	SBO... Concrete Screw	SBSO... Concrete Screw	KWBO... Nail Anchor	GSO... Ceiling Nail	KSKO... Hollow - Ceiling Anchor	PYRO-SAFE KS1 Intumescent Fire Protection Coating
							
WPPOVE Articulated Rod Hanger	UNPO Fire partition- versatile						
