



GRAZIADIO



S.P.A.

 **STRADER**

GDA 63-2500 A
Distribučné systémy - Plug-in busbar

PRÍPOJNICE / BUSBARS

GDA

63-2500 A



OBSAH / INDEX

| | |
|--|-------|
| Rovné prvky 4 m · Straight elements 4 m | 4 |
| Rovné prvky na mieru · Straight elements custom length | 5 |
| Horizontálne a vertikálne uhly · Horizontal and Vertical elbows | 6 |
| Prispôsobené, $\lt; 90^\circ$ a flexibilné uhly · On measure elbow, $\lt; 90^\circ$ and flexible elbows | 7 |
| Prvky "T" · "T" elements | 7 |
| Koncové napájacie jednotky IP55 · End feed unit IP55 | 8 |
| Koncové napájacie jednotky s vypínačom IP55 · End feed unit with switch IP55 | 10 |
| Stredové napájacie jednotky IP55 · Centre feed unit IP55 | 10 |
| Napájacie jednotky rozvádzača · Switchboard feed unit | 10 |
| Napájacie jednotky rozvádzača s uhlom · Switchboard feed unit with elbow | 11 |
| Odbočovacie skrinky 32 A - 63/125 A - 160 A - 160/250/400 A - 630/800/1000/1250 A · Tap off box 32 A - 63/125 A - 160 A - 160/250/400 A - 630/800/1000/1250 A | 12-17 |
| Protipožiarna prepážka · Fire barrier | 18 |
| Redukčná jednotka · Reduction unit | 18 |
| Závesy, držiaky · Fixing hanger | 19 |
| Záslepky · End cap | 19 |
| Vertikálne vedenia (stúpacie vedenia) · Vertical lines (rising mains) | 20 |
| Montážne vzdialenosti · Mounting distances | 21 |
| Dátový list GDA | 22 |
| Dátový list GDR | 23 |
| Technické špecifikácie · Specification text | 25 |
| Vyhlasenie o zhode a certifikáty · Conformity declaration | 26 |
| Všeobecné obchodné podmienky · General conditions of sale | 28 |



VÝHODY / ADVANTAGES

- rýchla montáž bez použitia špeciálneho náradia / quick assembly without requirement of special tools
- ideálne pre stúpačky / suitable for horizontal or vertical installation (rising main)
- nízke náklady na rozšírenie systému o odbočovacie skrinky / low costs to expand with addition of tap off boxes
- dostupnosť odbočovacích skriniek od 32 a 1250 A / tap off boxes available from 32 to 1250 A

TECHNICKÉ VLASTNOSTI MAIN TECHNICAL FEATURES

- Hliníkový vonkajší plášť (kryt)
- Jednodielný spoj
- Hliníkové (GDA) a medené (GDR) zbernice s profilom špeciálne navrhnutým na elimináciu skinefektu
- Stupeň krytia IP50 a IP55
- Štandardné 4 m rovné prvky
- Neutrálna zbernica má vždy 100% prierezu fáze
- GDA 4: PE zbernica - plášť prípojnice s prierezom vždy väčším ako je prierez fázovej zbernice
- GDA 5: zbernica PE je vždy z hliníku
- Odpočovacie skrinky na oboch stranách
- Odpočovacie skrinky je možné zapojiť počas prevádzky prípojnice
- Frekvencia: 50/60 Hz
- Izolačné napätie: 1000 V
- Aluminium housing
- Monoblock joint
- Aluminium (GDA) and copper (GDR) conductors have been specially designed to make the most of SKIN EFFECT
- Protection degree from IP50 to IP55
- 4 metres standard straight lengths (shorter length available)
- Neutral always 100% of phase section
- GDA 4: PE housing with section always bigger than phase section
- GDA 5: dedicated PE conductor in aluminium
- Tap off outlets both sides
- Tap off boxes can be plugged in while busbar live
- Frequency: 50/60 Hz
- Insulation voltage: 1000 V



Certifikované podľa:
Certified with:
CEI EN 61439-1/6
IEC 61439-1/6
CEI EN 60529



hliníkové vodiče
aluminium conductors

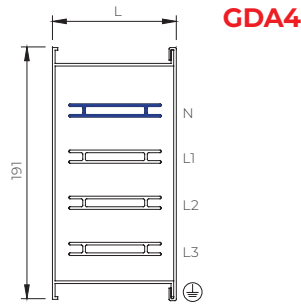
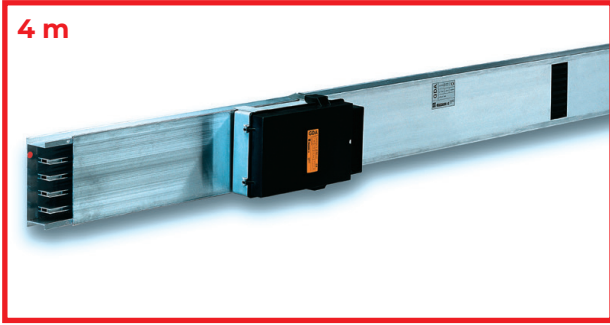


medené vodiče
copper conductors

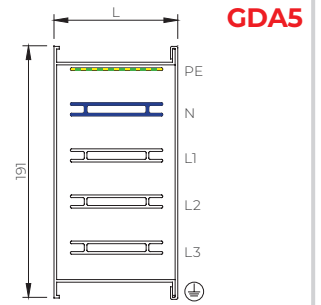


ROVNÉ PRVKY 4 m · STRAIGHT ELEMENTS 4 m

4 m

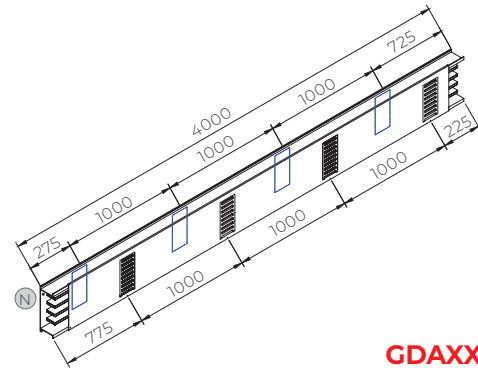


GDA4



GDA5

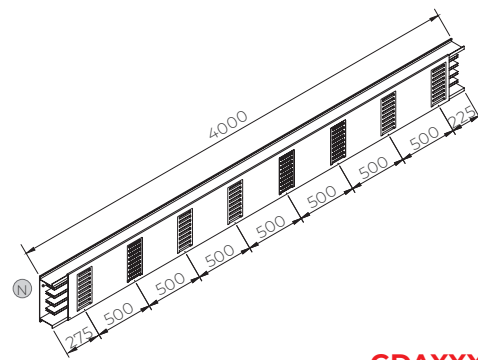
| A | GDA 4 | | | GDA 5 | | | Odboč. body / Tap off points |
|------|------------|------|--------|------------|------|--------|------------------------------|
| | Kód/Code | Kg/m | L (mm) | Kód/Code | Kg/m | L (mm) | |
| 63 | GDA100630 | 3,0 | 45 | GDA200630 | 3,3 | 45 | 4+0 |
| 100 | GDA100000 | 3,1 | 45 | GDA200000 | 3,4 | 45 | 4+0 |
| 160 | GDA101000M | 3,3 | 45 | GDA201000M | 3,6 | 45 | 4+0 |
| 250 | GDA102000 | 4,4 | 65 | GDA202000 | 4,7 | 65 | 4+4 |
| 400 | GDA104000 | 6,2 | 65 | GDA204000 | 6,5 | 65 | 4+4 |
| 500 | GDA105000 | 7,7 | 94 | GDA205000 | 8,4 | 94 | 4+4 |
| 630 | GDA106000 | 9,0 | 94 | GDA206000 | 9,7 | 94 | 4+4 |
| 800 | GDA108000 | 10,0 | 94 | GDA208000 | 10,7 | 94 | 4+4 |
| 1000 | GDA110000 | 11,3 | 94 | GDA210000 | 12,1 | 94 | 4+4 |
| 1250 | GDA112000 | 14,7 | 145 | GDA212000 | 15,6 | 145 | 4+0 |
| 1600 | GDA116000 | 17,7 | 145 | GDA216000 | 18 | 145 | 4+0 |
| 2000 | GDA120000 | 25 | 270 | GDA220000 | 26 | 270 | 4+0 |
| 2500 | GDA125000 | 28 | 270 | GDA225000 | 29 | 270 | 4+0 |



GDAXXXXXX (4+4)

4 M SO ZÁSUVNÝMI BODMI KAŽDÝCH 0,5 M IBA VPREDU
4 m WITH PLUG-IN POINTS EVERY 0,5 m ONLY IN FRONT

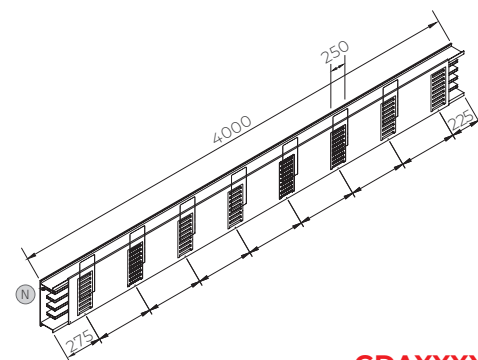
| A | GDA 4 | | | GDA 5 | | | Odboč. body / Tap off points |
|------|-------------|------|--------|-------------|------|--------|------------------------------|
| | Kód/Code | Kg/m | L (mm) | Kód/Code | Kg/m | L (mm) | |
| 63 | GDA100630S | 3,0 | 45 | GDA200630S | 3,3 | 45 | 8+0 |
| 100 | GDA100000S | 3,1 | 45 | GDA200000S | 3,4 | 45 | 8+0 |
| 160 | GDA101000MS | 3,3 | 45 | GDA201000MS | 3,6 | 45 | 8+0 |
| 250 | GDA102000S | 4,4 | 65 | GDA202000S | 4,7 | 65 | 8+0 |
| 400 | GDA104000S | 6,2 | 65 | GDA204000S | 6,5 | 65 | 8+0 |
| 500 | GDA105000S | 7,7 | 94 | GDA205000S | 8,4 | 94 | 8+0 |
| 630 | GDA106000S | 9,0 | 94 | GDA206000S | 9,7 | 94 | 8+0 |
| 800 | GDA108000S | 10,0 | 94 | GDA208000S | 10,7 | 94 | 8+0 |
| 1000 | GDA110000S | 11,3 | 94 | GDA210000S | 12,1 | 94 | 8+0 |
| 1250 | GDA112000S | 14,7 | 145 | GDA212000S | 15,6 | 145 | 8+0 |
| 1600 | GDA116000S | 17,7 | 145 | GDA216000S | 18 | 145 | 8+0 |
| 2000 | GDA120000S | 25 | 270 | GDA220000S | 26 | 270 | 8+0 |
| 2500 | GDA125000S | 28 | 270 | GDA225000S | 29 | 270 | 8+0 |



GDAXXXXXS (8+0)

4 M SO ZÁSUVNÝMI BODMI KAŽDÝCH 0,25 M
4 m WITH PLUG-IN POINTS EVERY 0,25 m

| A | GDA 4 | | | GDA 5 | | | Odboč. body / Tap off points |
|------|--------------|------|--------|--------------|------|--------|------------------------------|
| | Kód/Code | Kg/m | L (mm) | Kód/Code | Kg/m | L (mm) | |
| 63 | GDA100630SS | 3,0 | 45 | GDA200630SS | 3,3 | 45 | 8+7 |
| 100 | GDA100000SS | 3,1 | 45 | GDA200000SS | 3,4 | 45 | 8+7 |
| 160 | GDA101000MSS | 3,3 | 45 | GDA201000MSS | 3,6 | 45 | 8+7 |
| 250 | GDA102000SS | 4,4 | 65 | GDA202000SS | 4,7 | 65 | 8+7 |
| 400 | GDA104000SS | 6,2 | 65 | GDA204000SS | 6,5 | 65 | 8+7 |
| 500 | GDA105000SS | 7,7 | 94 | GDA205000SS | 8,4 | 94 | 8+7 |
| 630 | GDA106000SS | 9,0 | 94 | GDA206000SS | 9,7 | 94 | 8+7 |
| 800 | GDA108000SS | 10,0 | 94 | GDA208000SS | 10,7 | 94 | 8+7 |
| 1000 | GDA110000SS | 11,3 | 94 | GDA210000SS | 12,1 | 94 | 8+7 |
| 2000 | GDA120000SS | 25 | 270 | GDA220000SS | 26 | 270 | 8+7 |
| 2500 | GDA125000SS | 28 | 270 | GDA225000SS | 29 | 270 | 8+7 |

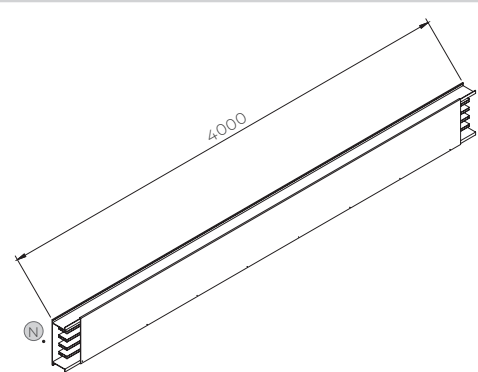


GDAXXXXXSS (8+7)

1250 a 1600 A nie sú k dispozícii.
1250 and 1600 A are not available.

4 m PRVOK BEZ ZÁSUVNÝCH BODOV
WITHOUT PLUG-IN POINTS

| A | GDA 4 | | | GDA 5 | | | Odboč. body / Tap off point. |
|------|-------------|------|--------|-------------|------|--------|------------------------------|
| | Kód/Code | Kg/m | L (mm) | Kód/Code | Kg/m | L (mm) | |
| 63 | GDA100630N | 3,0 | 45 | GDA200630N | 3,3 | 45 | 0+0 |
| 100 | GDA100000N | 3,1 | 45 | GDA200000N | 3,4 | 45 | 0+0 |
| 160 | GDA101000MN | 3,3 | 45 | GDA201000MN | 3,6 | 45 | 0+0 |
| 250 | GDA102000N | 4,4 | 65 | GDA202000N | 4,7 | 65 | 0+0 |
| 400 | GDA104000N | 6,2 | 65 | GDA204000N | 6,5 | 65 | 0+0 |
| 500 | GDA105000N | 7,7 | 94 | GDA205000N | 8,4 | 94 | 0+0 |
| 630 | GDA106000N | 9,0 | 94 | GDA206000N | 9,7 | 94 | 0+0 |
| 800 | GDA108000N | 10,0 | 94 | GDA208000N | 10,7 | 94 | 0+0 |
| 1000 | GDA110000N | 11,3 | 94 | GDA210000N | 12,1 | 94 | 0+0 |
| 1250 | GDA112000N | 14,7 | 145 | GDA212000N | 15,6 | 145 | 0+0 |
| 1600 | GDA116000N | 17,7 | 145 | GDA216000N | 18 | 145 | 0+0 |
| 2000 | GDA120000N | 25 | 270 | GDA220000N | 26 | 270 | 0+0 |
| 2500 | GDA125000N | 28 | 270 | GDA225000N | 29 | 270 | 0+0 |

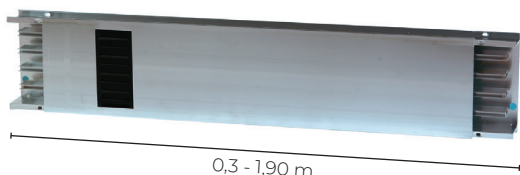


GDAXXXXXN (0+0)

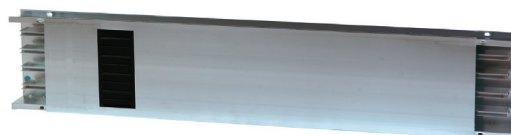


ROVNÉ PRVKY NA MIERU · STRAIGHT ELEMENTS CUSTOM LENGTH

0,3 - 1,90 m



SO ZÁSUVNÝMI BODMI KAŽDÝCH 0,5 M IBA VPREDU
WITH PLUG-IN POINTS EVERY 0,5 m ONLY IN FRONT

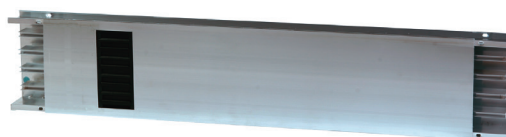


| A | GDA 4 | | | GDA 5 | | |
|------|------------|------|--------|------------|------|--------|
| | Kód/Code | Kg/m | L (mm) | Kód/Code | Kg/m | L (mm) |
| 63 | GDA100631 | 3,0 | 45 | GDA200631 | 3,3 | 45 |
| 100 | GDA100001 | 3,1 | 45 | GDA200001 | 3,4 | 45 |
| 160 | GDA101001M | 3,3 | 45 | GDA201001M | 3,6 | 45 |
| 250 | GDA102001 | 4,4 | 65 | GDA202001 | 4,7 | 65 |
| 400 | GDA104001 | 6,2 | 65 | GDA204001 | 6,5 | 65 |
| 500 | GDA105001 | 7,7 | 94 | GDA205001 | 8,4 | 94 |
| 630 | GDA106001 | 9,0 | 94 | GDA206001 | 9,7 | 94 |
| 800 | GDA108001 | 10,0 | 94 | GDA208001 | 10,7 | 94 |
| 1000 | GDA110001 | 11,3 | 94 | GDA210001 | 12,1 | 94 |
| 1250 | GDA112001 | 14,7 | 145 | GDA212001 | 15,6 | 145 |
| 1600 | GDA116001 | 17,7 | 145 | GDA216001 | 18 | 145 |
| 2000 | GDA120001 | 25 | 270 | GDA220001 | 26 | 270 |
| 2500 | GDA125001 | 28 | 270 | GDA225001 | 29 | 270 |

| A | GDA 4 | GDA 5 |
|---------|------------|------------|
| | Kód/Code | Kód/Code |
| 63/2500 | GDA1*****S | GDA2*****S |

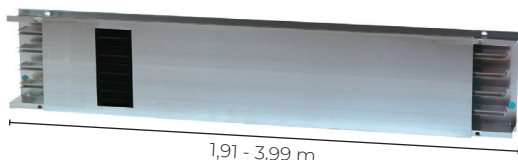
Nahráďte „**“ kódom požadovanej prispôsobenej dĺžky.
Change “**” with the code of custom length element.

SO ZÁSUVNÝMI BODMI KAŽDÝCH 0,25 M
WITH PLUG-IN POINTS EVERY 0,25 m



Odboč. body sa líši v závislosti od dĺžky prvku.
The number of plug-in points depends on the length of elements.

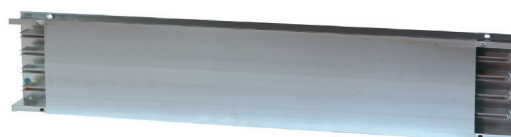
1,91 - 3,99 m



| A | GDA 4 | GDA 5 |
|---------|-------------|-------------|
| | Kód/Code | Kód/Code |
| 63/2500 | GDA1*****SS | GDA2*****SS |

Nahráďte „**“ kódom požadovanej prispôsobenej dĺžky.
Change “**” with the code of custom length element.

BEZ ZÁSUVNÝCH BODOV
WITHOUT PLUG-IN POINTS



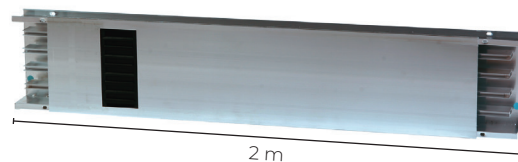
| A | GDA 4 | | | GDA 5 | | |
|------|------------|------|--------|------------|------|--------|
| | Kód/Code | Kg/m | L (mm) | Kód/Code | Kg/m | L (mm) |
| 63 | GDA100632 | 3,0 | 45 | GDA200632 | 3,3 | 45 |
| 100 | GDA100002 | 3,1 | 45 | GDA200002 | 3,4 | 45 |
| 160 | GDA101002M | 3,3 | 45 | GDA201002M | 3,6 | 45 |
| 250 | GDA102002 | 4,4 | 65 | GDA202002 | 4,7 | 65 |
| 400 | GDA104002 | 6,2 | 65 | GDA204002 | 6,5 | 65 |
| 500 | GDA105002 | 7,7 | 94 | GDA205002 | 8,4 | 94 |
| 630 | GDA106002 | 9,0 | 94 | GDA206002 | 9,7 | 94 |
| 800 | GDA108002 | 10,0 | 94 | GDA208002 | 10,7 | 94 |
| 1000 | GDA110002 | 11,3 | 94 | GDA210002 | 12,1 | 94 |
| 1250 | GDA112002 | 14,7 | 145 | GDA212002 | 15,6 | 145 |
| 1600 | GDA116002 | 17,7 | 145 | GDA216002 | 18 | 145 |
| 2000 | GDA120002 | 25 | 270 | GDA220002 | 26 | 270 |
| 2500 | GDA125002 | 28 | 270 | GDA225002 | 29 | 270 |

| A | GDA 4 | GDA 5 |
|---------|------------|------------|
| | Kód/Code | Kód/Code |
| 63/2500 | GDA1*****N | GDA2*****N |

Nahráďte „**“ kódom požadovanej prispôsobenej dĺžky.
Change “**” with the code of custom length element.

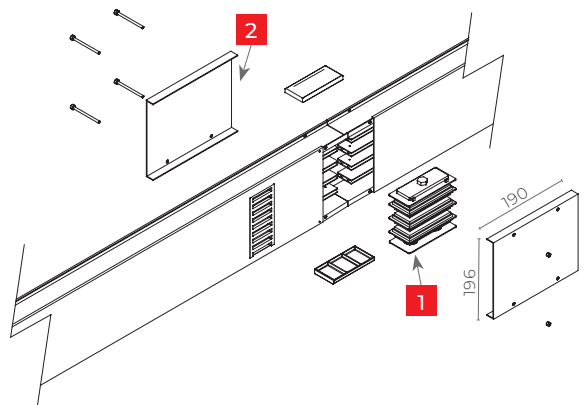
Počet odbočovacích bodov sa líši v závislosti od dĺžky prvku.
The number of plug-in points depends on the length of elements.

2 m



Spojka · Joint

- 1 Jednodielná spojka
- 2 Kryt
- 1 Monoblock joint
- 2 Joint cover



| A | GDA 4 | | | GDA 5 | | |
|------|-------------|------|--------|-------------|------|--------|
| | Kód/Code | Kg/m | L (mm) | Kód/Code | Kg/m | L (mm) |
| 63 | GDA100632M2 | 3,0 | 45 | GDA200632M2 | 3,3 | 45 |
| 100 | GDA100002M2 | 3,1 | 45 | GDA200002M2 | 3,4 | 45 |
| 160 | GDA101002M2 | 3,3 | 45 | GDA201002M2 | 3,6 | 45 |
| 250 | GDA102002M2 | 4,4 | 65 | GDA202002M2 | 4,7 | 65 |
| 400 | GDA104002M2 | 6,2 | 65 | GDA204002M2 | 6,5 | 65 |
| 500 | GDA105002M2 | 7,7 | 94 | GDA205002M2 | 8,4 | 94 |
| 630 | GDA106002M2 | 9,0 | 94 | GDA206002M2 | 9,7 | 94 |
| 800 | GDA108002M2 | 10,0 | 94 | GDA208002M2 | 10,7 | 94 |
| 1000 | GDA110002M2 | 11,3 | 94 | GDA210002M2 | 12,1 | 94 |
| 1250 | GDA112002M2 | 14,7 | 145 | GDA212002M2 | 15,6 | 145 |
| 1600 | GDA116002M2 | 17,7 | 145 | GDA216002M2 | 18 | 145 |
| 2000 | GDA120002M2 | 25 | 270 | GDA220002M2 | 26 | 270 |
| 2500 | GDA125002M2 | 28 | 270 | GDA225002M2 | 29 | 270 |

Spojka je vždy súčasťou každého rovného prvku. Rovné prvky majú IP50, s vhodným príslušenstvom je možné ich rozšíriť na IP55.

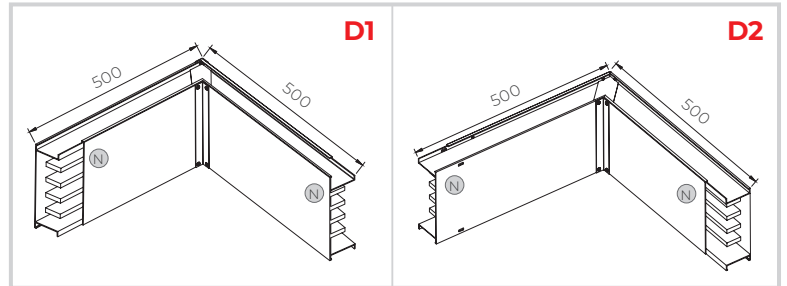
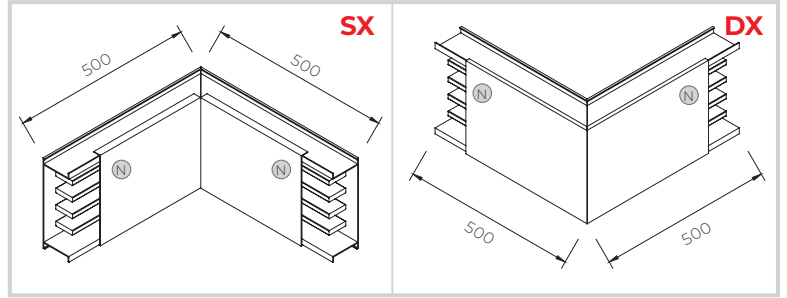
The joint is always included in each element. Straight elements are IP50, it is possible to have IP55 with accessories.

Minimálna objednávka: násobky 2 kusov/Minimum order: multiples of 2 pcs



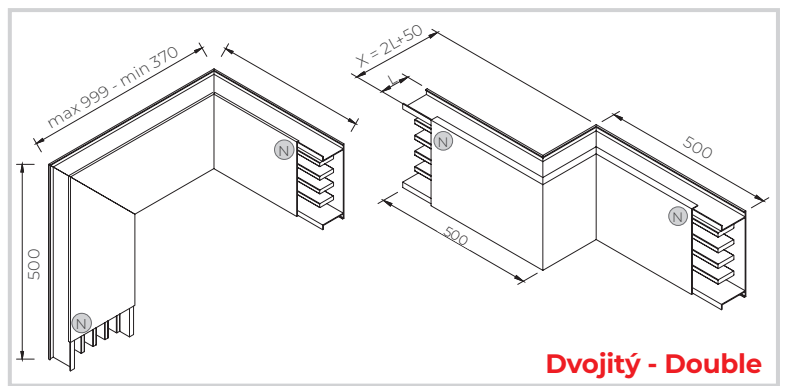
GDA 63-2500 A

HORIZONTÁLNE UHLY · HORIZONTAL ELBOWS



| A | GDA 4 | | GDA 5 | |
|-----------|-----------|-----------|-----------|-----------|
| | DX | SX | DX | SX |
| | Kód/Code | | Kód/Code | |
| 250/400 | GDA100102 | GDA100101 | GDA200102 | GDA200101 |
| 500/800 | GDA100106 | GDA100105 | GDA200106 | GDA200105 |
| 1000 | GDA100116 | GDA100115 | GDA200116 | GDA200115 |
| 1250/1600 | GDA116116 | GDA116115 | GDA216116 | GDA216115 |
| 2000/2500 | GDA120116 | GDA120115 | GDA220116 | GDA220115 |

| A | GDA 4 | | GDA 5 | |
|----------|------------|------------|------------|------------|
| | D1 | D2 | D1 | D2 |
| | Kód/Code | | Kód/Code | |
| 250/2500 | GDA1xxxxD1 | GDA1xxxxD2 | GDA2xxxxD1 | GDA2xxxxD2 |



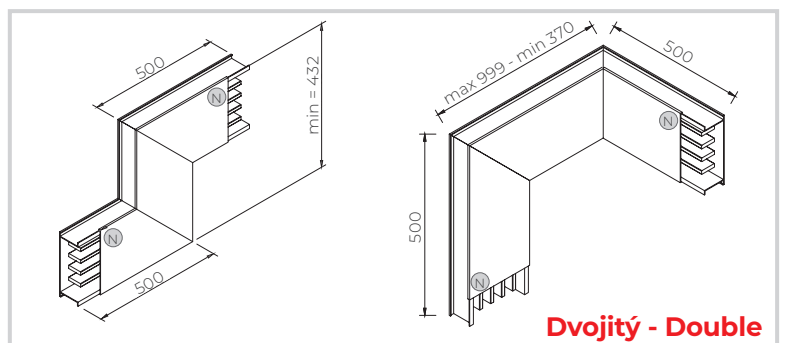
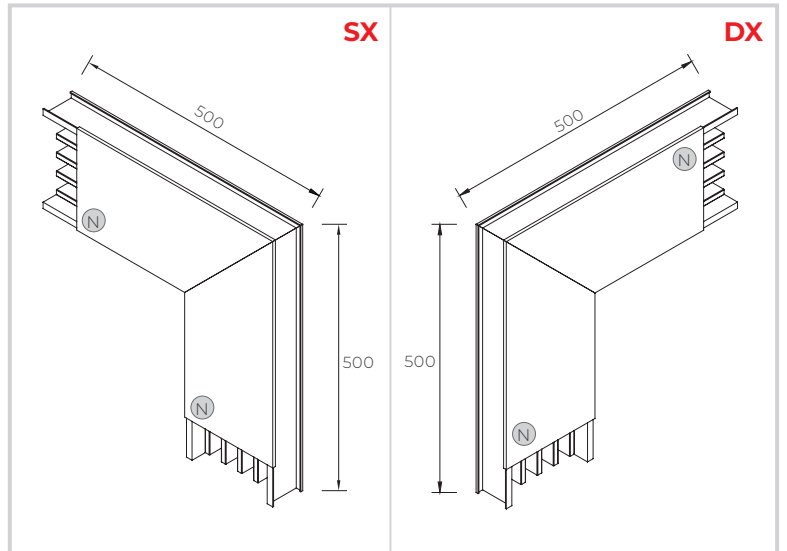
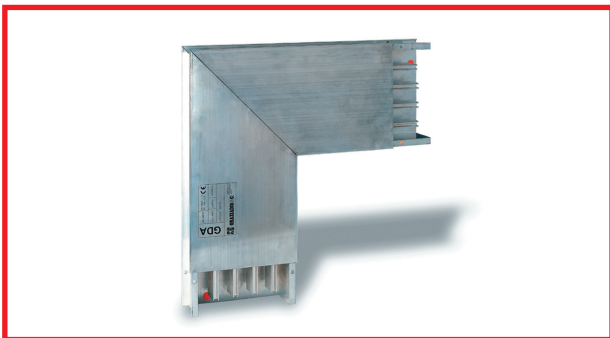
DVOJITÉ HORIZNOTÁLNE UHLY · DOUBLE HORIZONTAL ELBOW

| A | GDA 4 | | GDA 5 | |
|------------|---------------|---------------|----------------|----------------|
| | Kód/Code | | Kód/Code | |
| 250/1000A | GDA1Zxxxxxx | GDA2Zxxxxxx | GDA1ZZxxxxxx | GDA2ZZxxxxxx |
| 1250/1600A | GDA1ZZxxxxxx | GDA2ZZxxxxxx | GDA1ZZZxxxxxx | GDA2ZZZxxxxxx |
| 2000/2500A | GDA1ZZZxxxxxx | GDA2ZZZxxxxxx | GDA1ZZZZxxxxxx | GDA2ZZZZxxxxxx |

Spojka je vždy zahrnutá v každom uhle.
L = výška profilu GDA na strane 4.
The joint is always included in each elbow.
L = GDA height on page 4.

Dvojitý - Double

VERTIKÁLNE UHLY · VERTICAL ELBOWS



| A | GDA 4 | | GDA 5 | |
|-----------|-----------|-----------|-----------|-----------|
| | DX | SX | DX | SX |
| | Kód/Code | | Kód/Code | |
| 250/400 | GDA100104 | GDA100103 | GDA200104 | GDA200103 |
| 500/800 | GDA100108 | GDA100107 | GDA200108 | GDA200107 |
| 1000 | GDA100118 | GDA100117 | GDA200118 | GDA200117 |
| 1250/1600 | GDA116118 | GDA116117 | GDA216118 | GDA216117 |
| 2000/2500 | GDA120118 | GDA120117 | GDA220118 | GDA220117 |

DVOJITÉ VERTIKÁLNE UHLY · DOUBLE VERTICAL ELBOW

| A | GDA 4 | | GDA 5 | |
|------------|---------------|---------------|----------------|----------------|
| | Kód/Code | | Kód/Code | |
| 250/1000A | GDA1Zxxxxxx | GDA2Zxxxxxx | GDA1ZZxxxxxx | GDA2ZZxxxxxx |
| 1250/1600A | GDA1ZZxxxxxx | GDA2ZZxxxxxx | GDA1ZZZxxxxxx | GDA2ZZZxxxxxx |
| 2000/2500A | GDA1ZZZxxxxxx | GDA2ZZZxxxxxx | GDA1ZZZZxxxxxx | GDA2ZZZZxxxxxx |

Spojka je vždy zahrnutá v každom uhle.
The joint is always included in each elbow.

Dvojitý - Double



UHLÝ NA MIERU ON MEASURE ELBOW



| A | GDA 4 | GDA 5 |
|----------|-----------|-----------|
| | Kód/Code | Kód/Code |
| 250/2500 | GDA1****S | GDA2****S |

Nahraďte „*“ požadovaným kódom uhla.
Change „*“ with the code of elbow.
V každom uhly je zahrnutá spojka.
The joint is always included in each elbow.

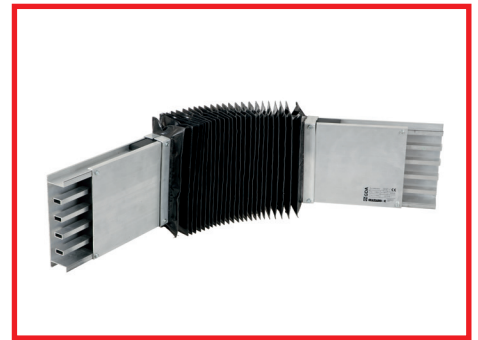
UHLÝ <> 90° ELBOWS <> 90°



| A | GDA 4 | GDA 5 |
|----------|-----------|-----------|
| | Kód/Code | Kód/Code |
| 250/2500 | GDA1****M | GDA2****M |

Nahraďte „*“ požadovaným kódom uhla.
Change „*“ with the code of elbow.
V každom uhly je zahrnutá spojka.
The joint is always included in each elbow.

FLEXIBILNÉ UHLÝ FLEXIBLE ELBOWS



| A | GDA 4 | GDA 5 |
|--------|----------|----------|
| | Kód/Code | Kód/Code |
| 63/160 | GDA1FX16 | GDA2FX16 |

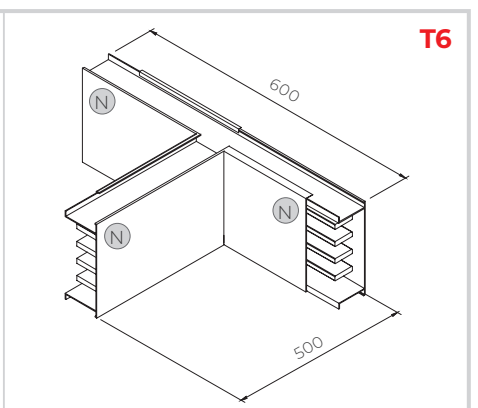
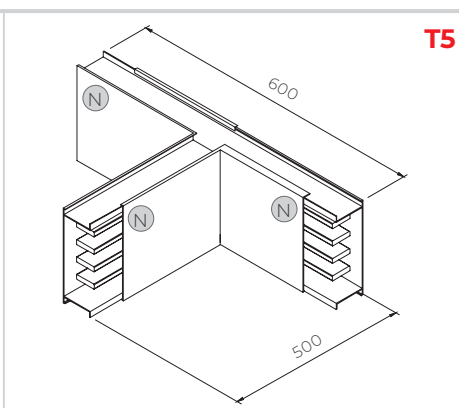
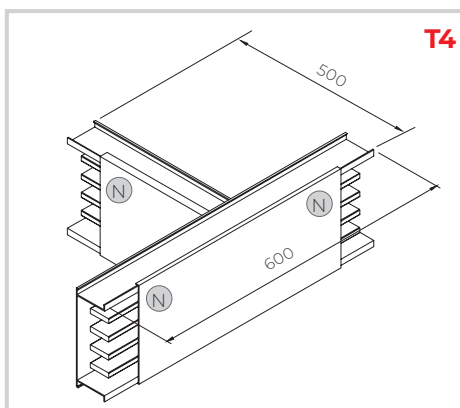
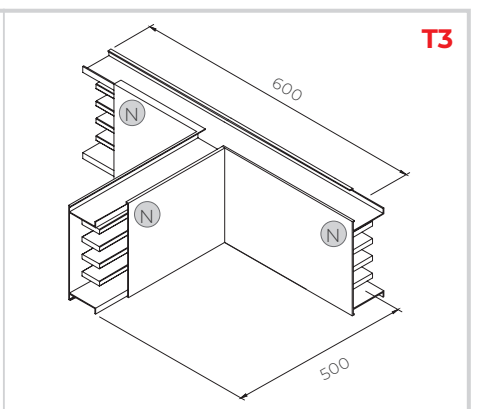
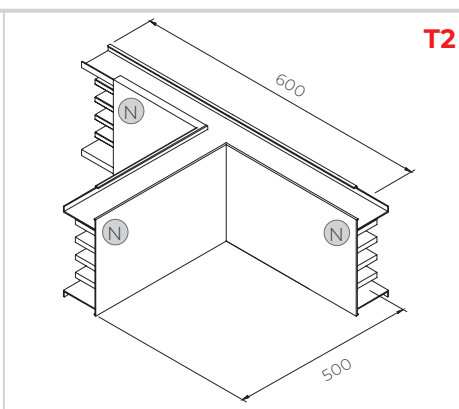
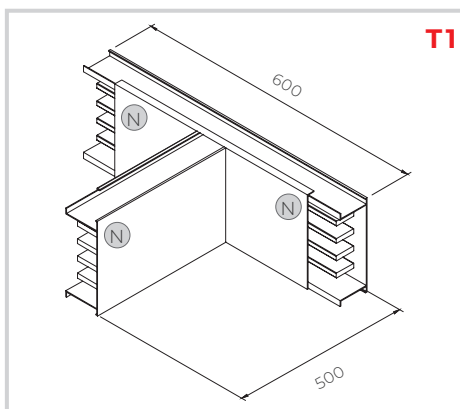
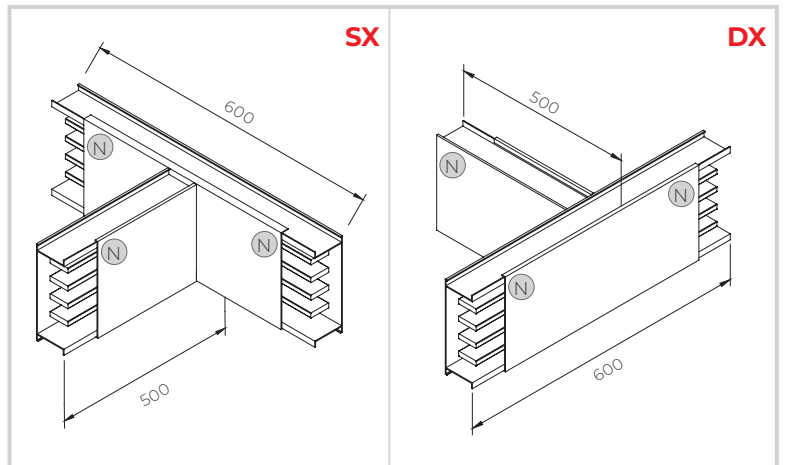
Ohybný uhly sa môže použiť vo vertikálnej aj horizontálnej polohe. Ak sú potrebné opačné spoje, použite kód GDA*FX16D1/02. Celková dĺžka uhla: 1000 mm. V každom uhly je zahrnutá spojka.
Flexible elbow can be used in vertical or horizontal. If opposite joints are needed use goe GDA*FX16D1/02. Total elbow length: 1000 mm. The joint is always included in each elbow.

PRVKY „T“ · „T“ ELEMENTS

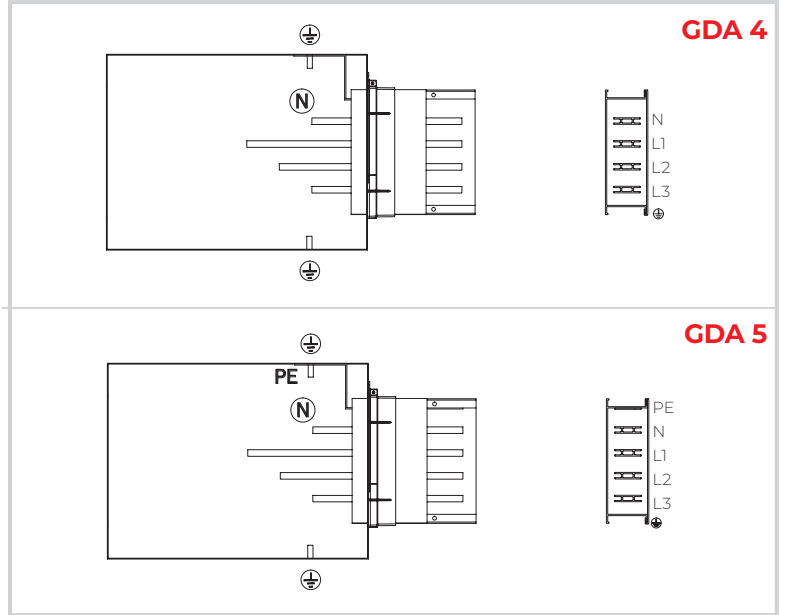


| A | GDA 4 | | GDA 5 | |
|-----------|------------|------------|------------|------------|
| | DX | SX | DX | SX |
| | Kód/Code | | Kód/Code | |
| 63/160 | GDA100111M | GDA100109M | GDA200111M | GDA200109M |
| 250/400 | GDA100111 | GDA100109 | GDA200111 | GDA200109 |
| 500/800 | GDA100112 | GDA100110 | GDA200112 | GDA200110 |
| 1000 | GDA100122 | GDA100120 | GDA200122 | GDA200120 |
| 1250/1600 | GDA116122 | GDA116120 | GDA216122 | GDA216120 |
| 2000/2500 | GDA120122 | | GDA220122 | |

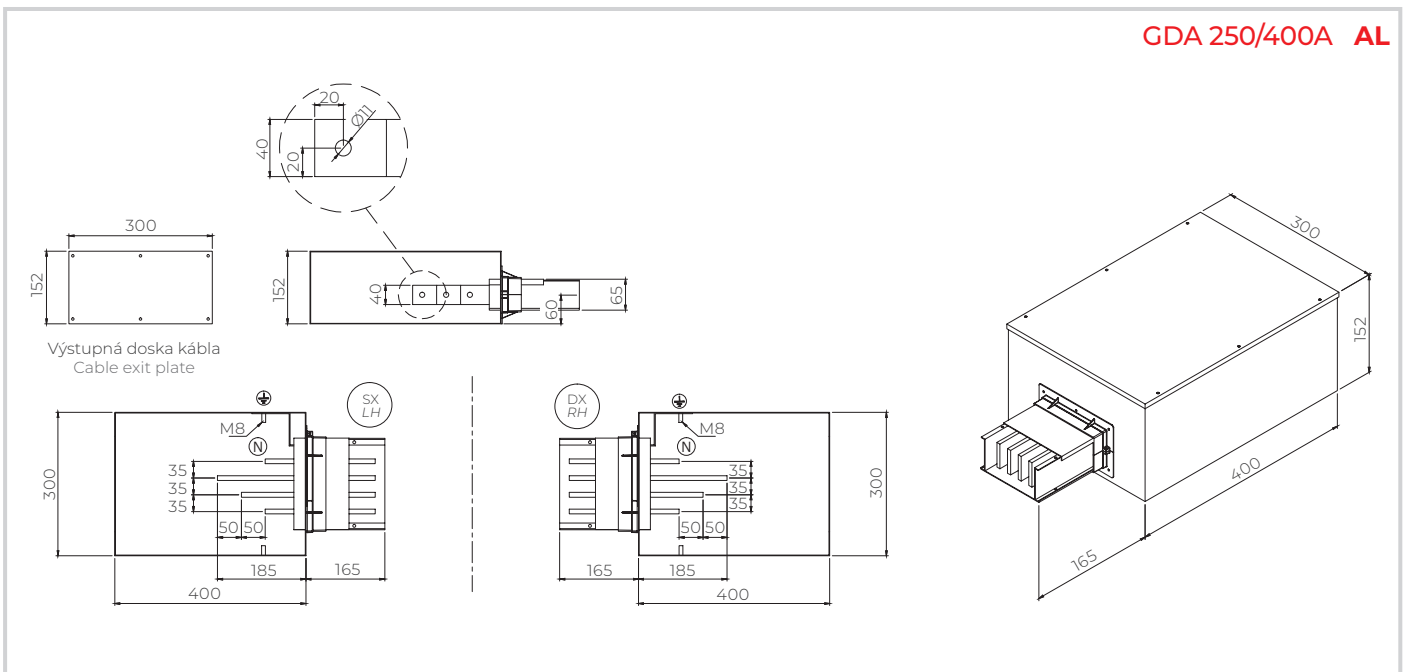
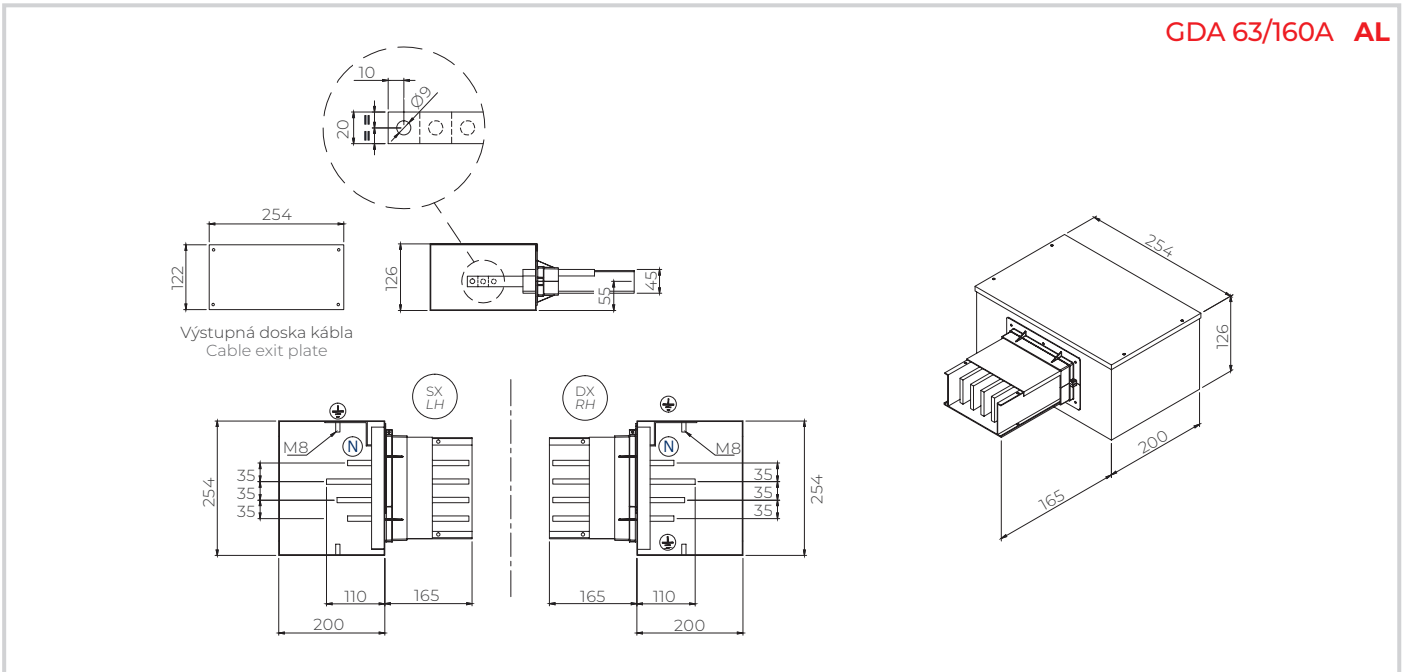
V každom „T-prvku“ je zahrnutá 1 spojka. In every „T“ elbow is included 1 joint.



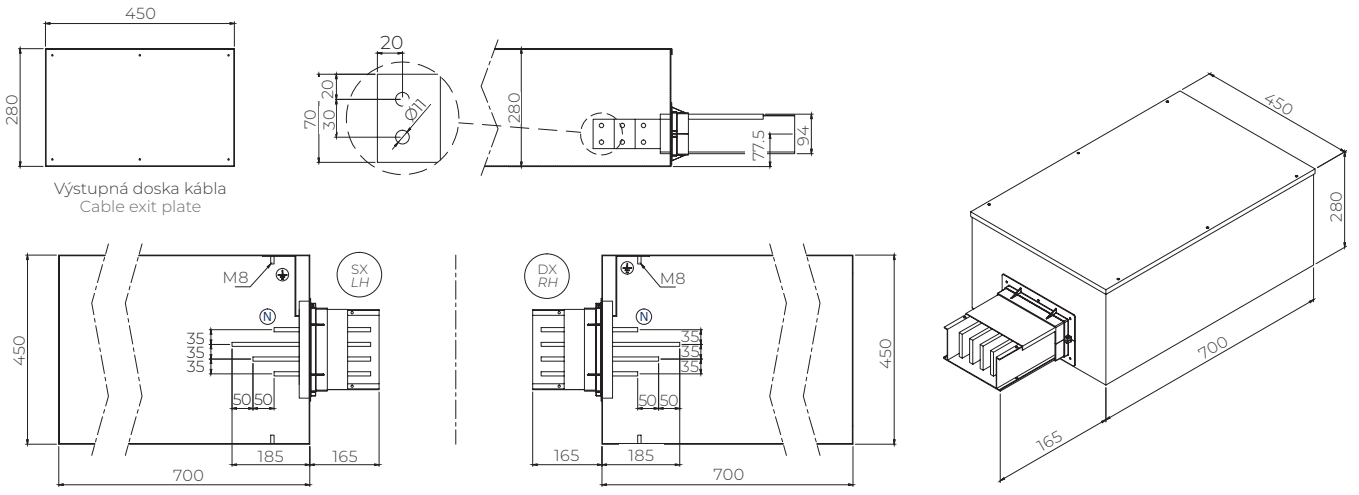
KONCOVÉ NAPÁJACIE JEDNOTKY IP55 · END FEED UNIT IP55



| A | GDA 4 | | GDA 5 | |
|-----------|------------|------------|------------|------------|
| | DX | SX | DX | SX |
| | Kód/Code | | Kód/Code | |
| 63/160 | GDA100021M | GDA100020M | GDA200021M | GDA200020M |
| 250/400 | GDA100021 | GDA100020 | GDA200021 | GDA200020 |
| 500/800 | GDA100023 | GDA100022 | GDA200023 | GDA200022 |
| 1000 | GDA100043 | GDA100042 | GDA200043 | GDA200042 |
| 1250/1600 | GDA116043 | GDA116042 | GDA216043 | GDA216042 |
| 2000/2500 | GDA120043 | GDA120042 | GDA220043 | GDA220042 |

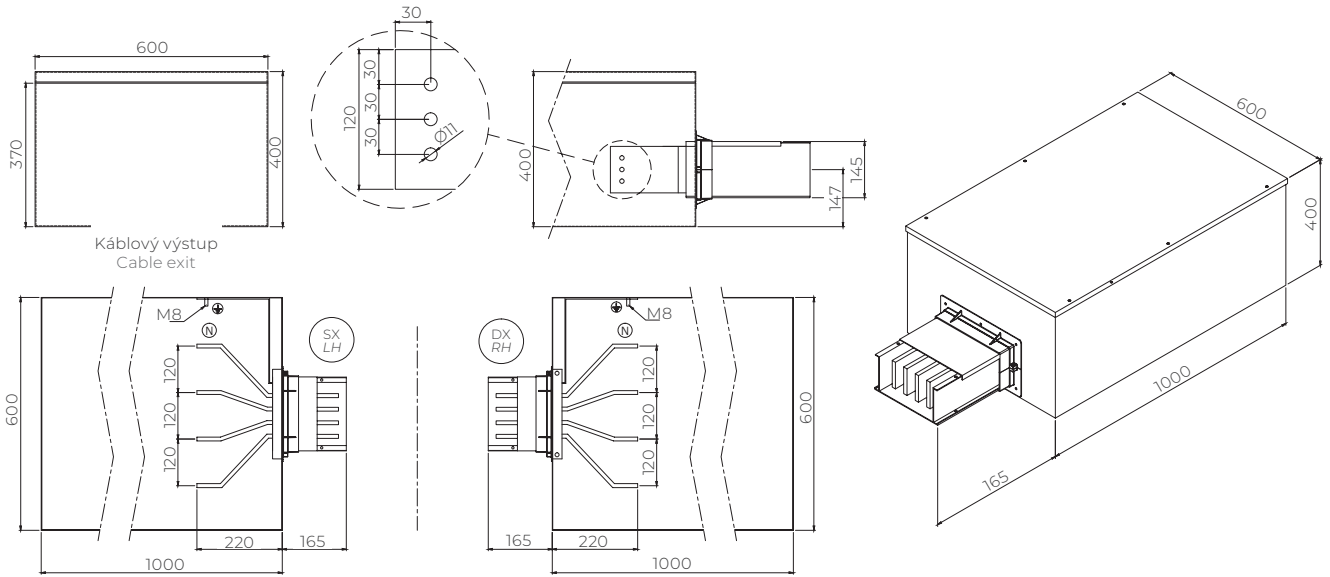


GDA 500/1000A AL



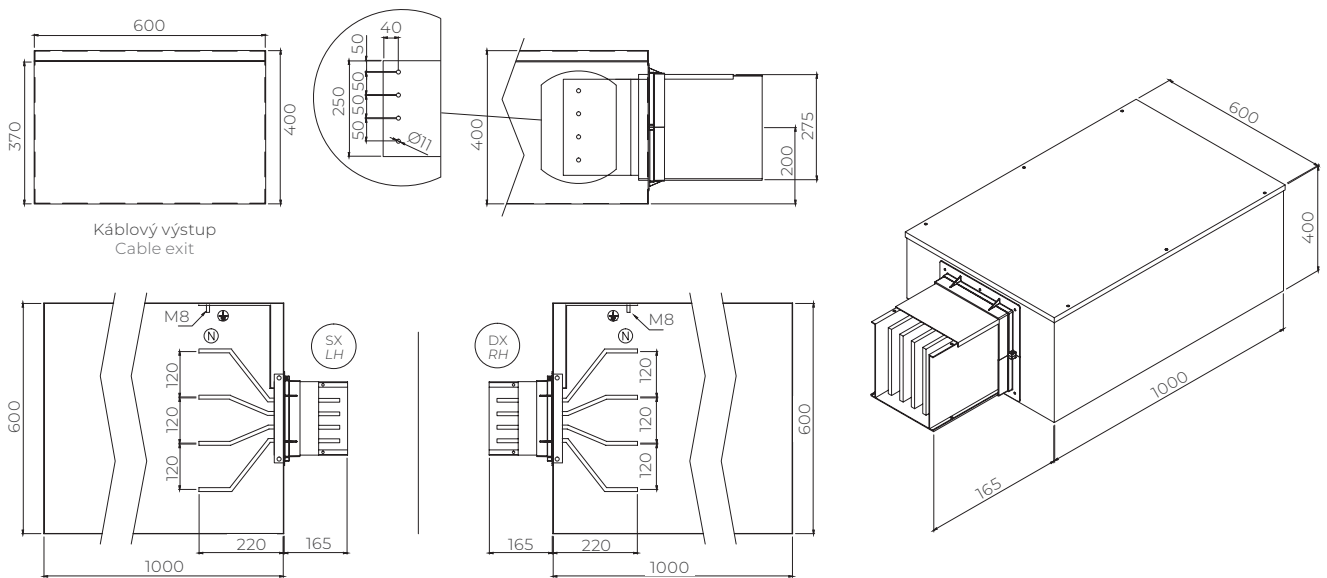
Výstupná doska kábla
Cable exit plate

GDA 1250/1600A AL



Káblový výstup
Cable exit

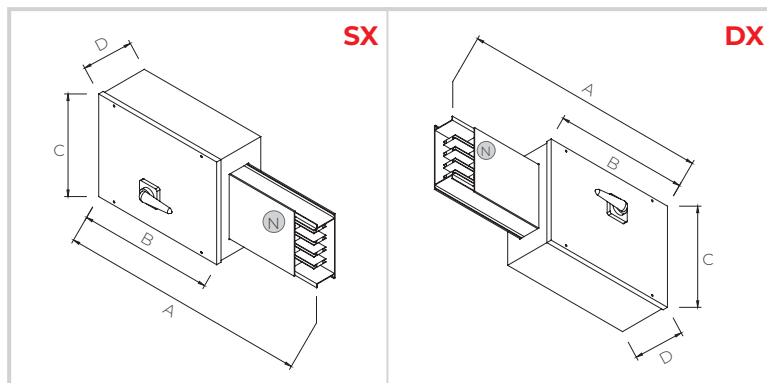
GDA 2000/2500A AL



Káblový výstup
Cable exit



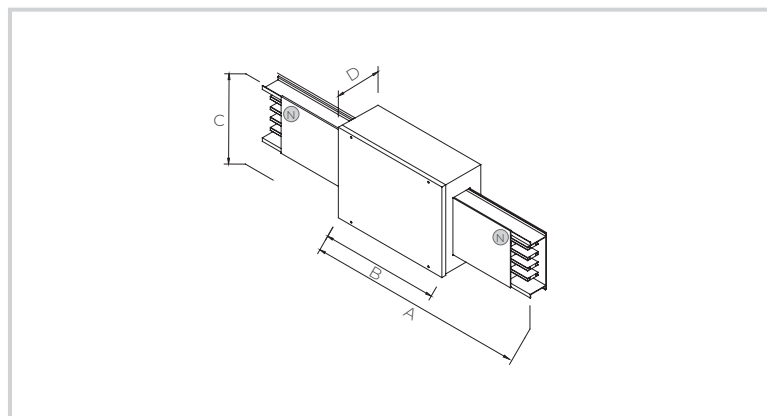
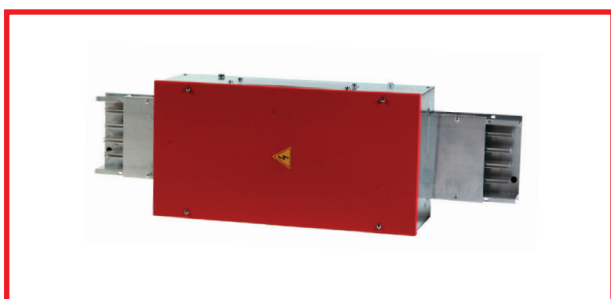
KONCOVÁ NAPÁJACIA JEDNOTKA S VYPÍNAČOM IP55 • END FEED UNIT WITH SWITCH IP55



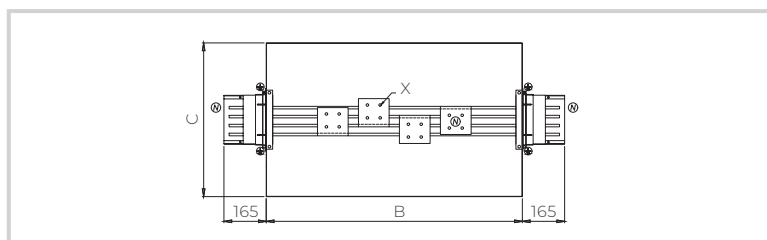
| A | GDA 4 | | GDA 5 | |
|--------|------------|------------|------------|------------|
| | DX | SX | DX | SX |
| | Kód/Code | | Kód/Code | |
| 63/160 | GDA101004M | GDA101003M | GDA201004M | GDA201003M |
| 250 | GDA102004 | GDA102003 | GDA202004 | GDA202003 |
| 400 | GDA104004 | GDA104003 | GDA204004 | GDA204003 |
| 500 | GDA105004 | GDA105003 | GDA205004 | GDA205003 |
| 630 | GDA106004 | GDA106003 | GDA206004 | GDA206003 |
| 800 | GDA108004 | GDA108003 | GDA208004 | GDA208003 |
| 1000 | GDA110004 | GDA110003 | GDA210004 | GDA210003 |
| 1250 | GDA112004 | GDA112003 | GDA212004 | GDA212003 |
| 1600 | GDA116004 | GDA116003 | GDA216004 | GDA216003 |

| [A] | A | B | C | D |
|-----------|------|------|-----|-----|
| 63 | 565 | 400 | 300 | 152 |
| 100/160 | 565 | 400 | 300 | 152 |
| 250/400 | 565 | 400 | 300 | 152 |
| 500/1000 | 865 | 700 | 450 | 280 |
| 1250/1600 | 1165 | 1000 | 600 | 400 |

CENTRÁLNA NAPÁJACIA JEDNOTKA IP55 • CENTRE FEED UNIT IP55

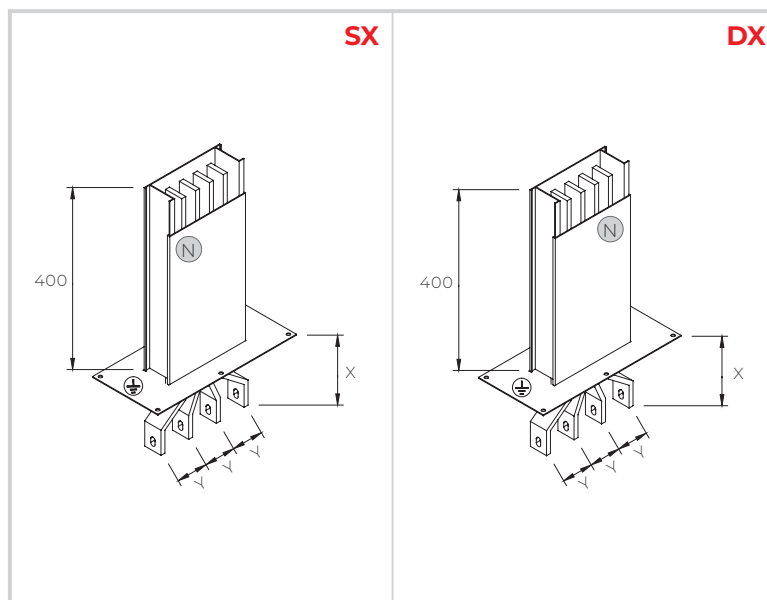


| A | GDA 4 | | GDA 5 | |
|-----------|------------|------------|----------|----------|
| | Kód/Code | Kód/Code | Kód/Code | Kód/Code |
| 63/160 | GDA100024M | GDA200024M | | |
| 250/400 | GDA100024 | GDA200024 | | |
| 500/800 | GDA100025 | GDA200025 | | |
| 1000 | GDA100045 | GDA200045 | | |
| 1250/1600 | GDA100055 | GDA200055 | | |
| 2000/2500 | GDA120055 | GDA220055 | | |



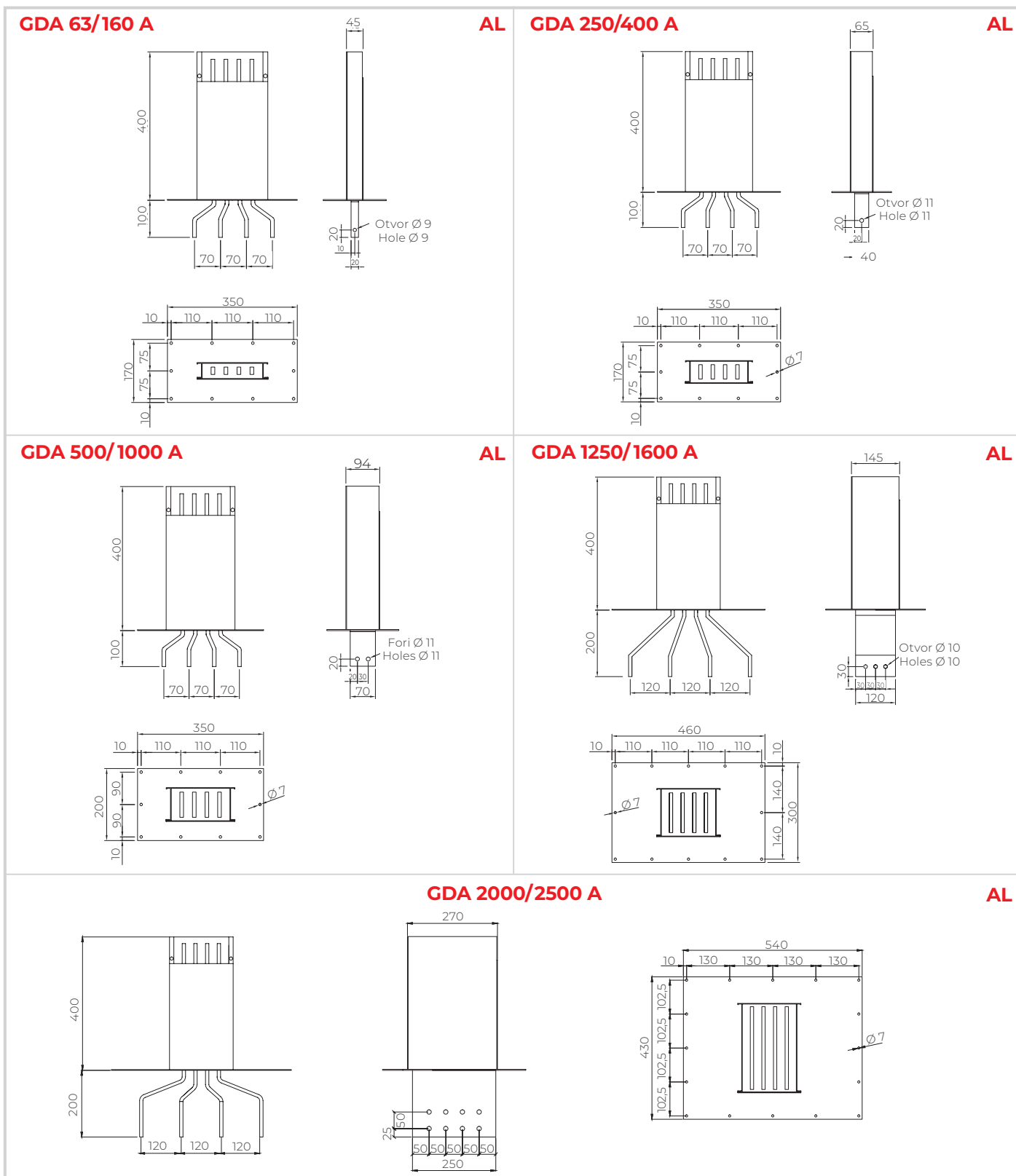
| [A] | GDA | | | | |
|-----------|------|------|-----|-----|------|
| | A | B | C | D | X |
| 63/160 | 365 | 200 | 254 | 126 | Ø 9 |
| 250/400 | 565 | 400 | 300 | 152 | Ø 11 |
| 500/1000 | 865 | 700 | 450 | 280 | Ø 12 |
| 1250/1600 | 1165 | 1000 | 600 | 400 | Ø 12 |
| 2000/2500 | 1165 | 1000 | 600 | 400 | Ø 12 |

NAPÁJACIA JEDNOTKA ROZVÁDZAČOV • SWITCHBOARD FEED UNIT



| A | GDA 4 | | GDA 5 | |
|-----------|------------|------------|------------|------------|
| | DX | SX | DX | SX |
| | Kód/Code | | Kód/Code | |
| 63/100 | GDA100030M | GDA100032M | GDA200030M | GDA200032 |
| 160 | GDA100030M | GDA100032M | GDA200030M | GDA200032M |
| 250/400 | GDA100030 | GDA100032 | GDA200030 | GDA200032 |
| 500/800 | GDA100031 | GDA100033 | GDA200031 | GDA200033 |
| 1000 | GDA100051 | GDA100053 | GDA200051 | GDA200053 |
| 1250/1600 | GDA100061 | GDA100063 | GDA200061 | GDA200063 |
| 2000/2500 | GDA120061 | GDA120063 | GDA220061 | GDA220063 |



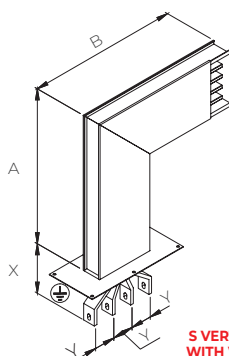


NAPÁJACIA JEDNOTKA ROZVÁDZAČOV S UHLOM · SWITCHBOARD FEED UNIT WITH ELBOW

| GDA 4 | | GDA 5 | | |
|--------------------------|---|-------------|---------|-----|
| GDAIPxxxxxx | | GDA2Pxxxxxx | | |
| | | ŠTANDARD | MIN | MAX |
| VERTIKAL VERTICAL | A | 400 | 250 | 899 |
| | B | 500 | 320 | 799 |
| HORIZONTÁL HORIZONTAL | A | 400 | 130 + L | 899 |
| | B | 500 | 130 + L | 799 |

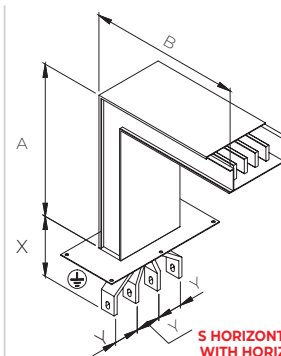
V každom uhlu je zahrnutá spojka.
The joint is always included in each elbow.

L = Výška profilu GDA na stránke 4.
L = GDA height on page 4.



S VERTIKÁLNYM UHLOM
WITH VERTICAL ELBOW

SX/DX



S HORIZONTÁLNYM UHLOM
WITH HORIZONTAL ELBOW

SX/DX

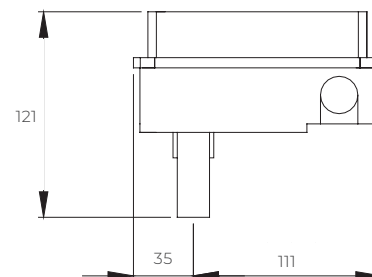
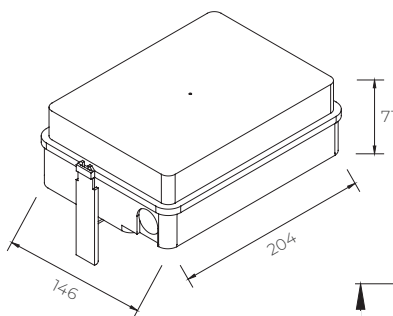


ODBOČOVACIE SKRINKY 32 A · TAP OFF BOX 32 A

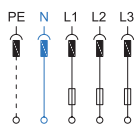
S POISTKOVÝM DRŽIAKOM IP55 · WITH FUSE BASES IP55



GDA400250



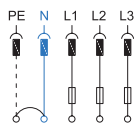
| Kód/Code | GDA 4 · GDA 5 |
|---|-------------------|
| Materiál skrinky / Tap off material | Plast/Plastic |
| Hmotnosť/Weight | 0,43 kg |
| Materiál zbernic/Conductor material | Cu + Ag |
| Max. prierez žíl káblov/Max cable section | 6 mm ² |
| Max. priemer káblov/Max. entrance cable | ø 22,5 mm |
| Poistkový držiak/Fuse base type | CF 10,3 x 38 |



Trojfázové poistky nie sú súčasťou dodávky.
The 3 phases fuses are not included.

PEN IP55

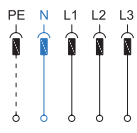
| Kód/Code | GDA 4 · GDA 5 |
|---|-------------------|
| Materiál skrinky/Tap off material | Plast/Plastic |
| Hmotnosť/Weight | 0,42 kg |
| Materiál zbernic/Conductor material | Cu + Ag |
| Max. prierez žíl káblov/Max cable section | 6 mm ² |
| Max. priemer káblov/Max. entrance cable | ø 22,5 mm |
| Poistkový držiak/Fuse base type | CF 10,3 x 38 |



Trojfázové poistky nie sú súčasťou dodávky. / The 3 phases fuses are not included.

PRÁZDNA IP55 · EMPTY IP55

| Kód/Code | GDA 4 · GDA 5 |
|---|-------------------|
| Materiál skrinky/Tap off material | Plast/Plastic |
| Hmotnosť/Weight | 0,45 kg |
| Materiál zbernic/Conductor material | Cu + Ag |
| Max. prierez žíl káblov/Max cable section | 6 mm ² |
| Max. priemer káblov/Max. entrance cable | ø 22,5 mm |
| Voľný vnútorný priestor (mm)/ Free inside space (mm) | 175 x 90 x 60 (h) |

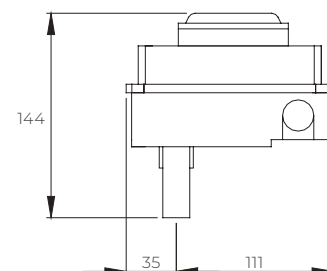
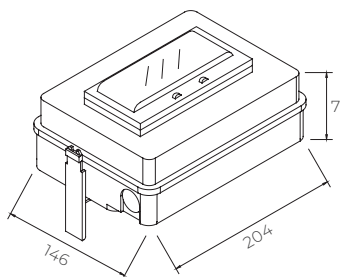


Ideálne na vkladanie MCCB ističov a priemyselných zásuviek. Upevňovacie dosky na MCCB ističe sú k dispozícii na požiadanie. / Best choice to fit MCCB and industrial plug. On request available plates to fix MCCB.

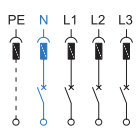
PRIPRAVENÉ PRE MODULÁRNE ISTIČE MCB
PREFITTED FOR MCB



GDA400252



| Kód/Code | GDA 4 · GDA 5 |
|---|-------------------|
| Materiál skrinky/Tap off material | Plast/Plastic |
| Hmotnosť/Weight | 0,53 kg |
| Materiál zbernic/Conductor material | Cu + Ag |
| Max. prierez žíl káblov/Max cable section | 6 mm ² |
| Max. priemer káblov/Max. entrance cable | ø 22,5 mm |
| Počet modulov na DIN lište MCB number of modules on DIN rail | 8 |
| Voľný vnútorný priestor (mm) Free inside space (mm) | 185 x 45 x 60 (h) |



Na požiadanie krycie viečko (kód TAPPI4TE)
On request cover stripe (cod. TAPPI4TE)

Skrinky sa dajú vložiť na oboch stranách každého rovného prvku prípojnice.
Tap off boxes can be inserted on each side of every straight element.

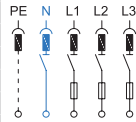


ODBOČOVACIE SKRINKY 63/125 A · TAP OFF BOX 63/125 A

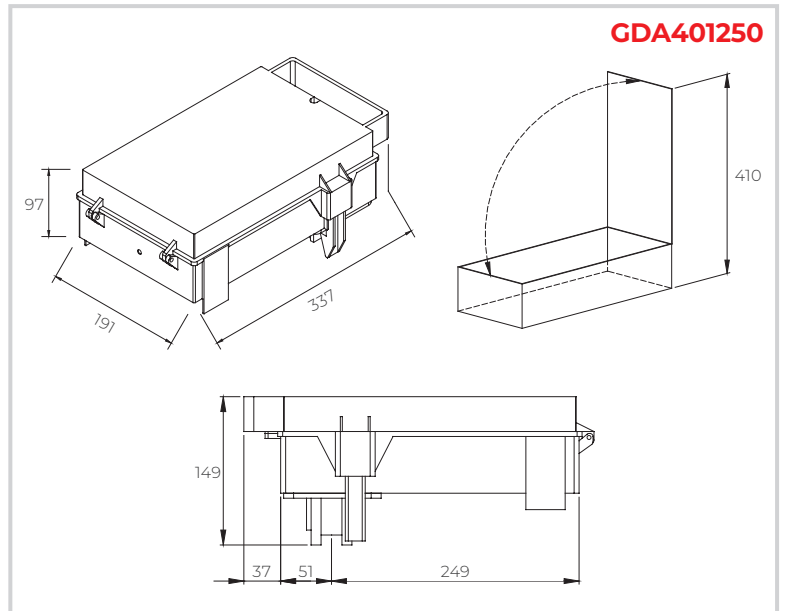
S POISTKOVÝM DRŽIAKOM IP55 · WITH FUSE BASES IP55



| Kód/Code | GDA 4 · GDA 5 | |
|---|--------------------|---------------|
| Materiál skrinky/Tap off material | GDA401250 | Plast/Plastic |
| Rozsah/Rating | 63/125 A | |
| Hmotnosť/Weight | 2,03 kg | |
| Materiál zbernic/Conductor material | Cu + Ag | |
| Max. prierez žíl káblov/Max cable section | 50 mm ² | |
| Max. priemer káblov/Max. entrance cable | ø 48 mm | |
| Poistkový držiak/Fuse base type | NH00 | |
| Vykonanie/Execution | Vypnutá záťaž | With off load |

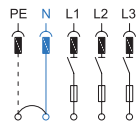


Trojfázové poistky nie sú súčasťou dodávky. The 3 phases fuses are not included.

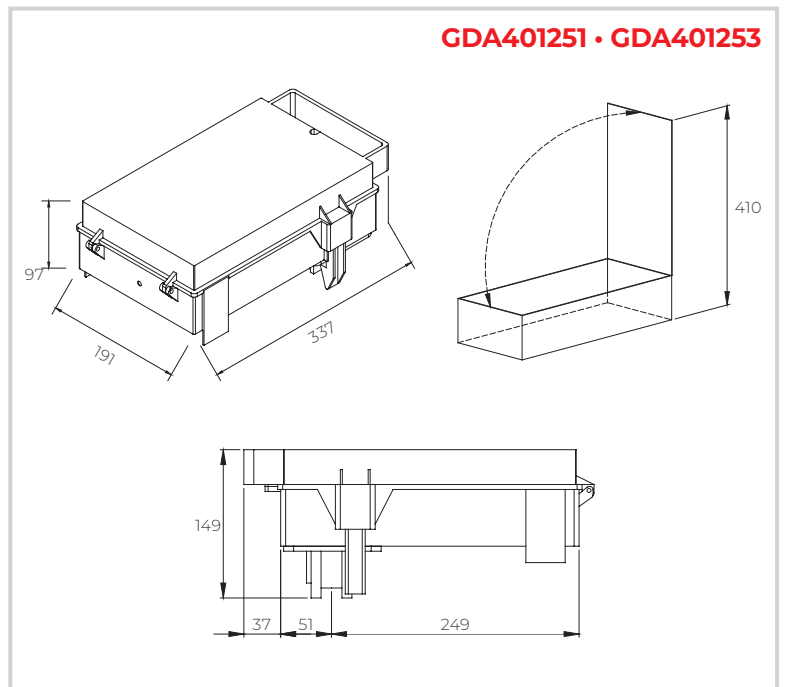


PEN IP55

| Kód/Code | GDA 4 · GDA 5 | |
|---|--------------------|---------------|
| Materiál skrinky/Tap off material | GDA401251 | Plast/Plastic |
| Rozsah/Rating | 63/125 A | |
| Hmotnosť/Weight | 2,05 kg | |
| Materiál zbernic/Conductor material | Cu + Ag | |
| Max. prierez žíl káblov/Max cable section | 50 mm ² | |
| Max. priemer káblov/Max. entrance cable | ø 48 mm | |
| Poistkový držiak/Fuse base type | NH00 | |
| Vykonanie/Execution | Vypnutá záťaž | With off load |

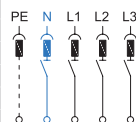


Trojfázové poistky nie sú súčasťou dodávky. The 3 phases fuses are not included.



PRÁZDNA IP55 · EMPTY IP55

| Kód/Code | GDA 4 · GDA 5 | |
|---|--------------------|---------------|
| Materiál skrinky/Tap off material | GDA401253 | Plast/Plastic |
| Rozsah/Rating | 63/125 A | |
| Hmotnosť/Weight | 1,90 kg | |
| Materiál zbernic/Conductor material | Cu + Ag | |
| Max. prierez žíl káblov/Max cable section | 50 mm ² | |
| Max. priemer káblov/Max. entrance cable | ø 48 mm | |
| Voľný vnútorný priestor (mm)/Free inside space (mm) | 185x168x88 (h) | |
| Vykonanie/Execution | Vypnutá záťaž | With off load |

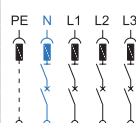


Ideálne na vkladanie MCCB ističov a priemyselných zásuviek. Upevňovacie dosky na MCCB ističe sú k dispozícii na požiadanie. / Best choice to fit MCCB and industrial plug. On request available plates to fix MCCB.

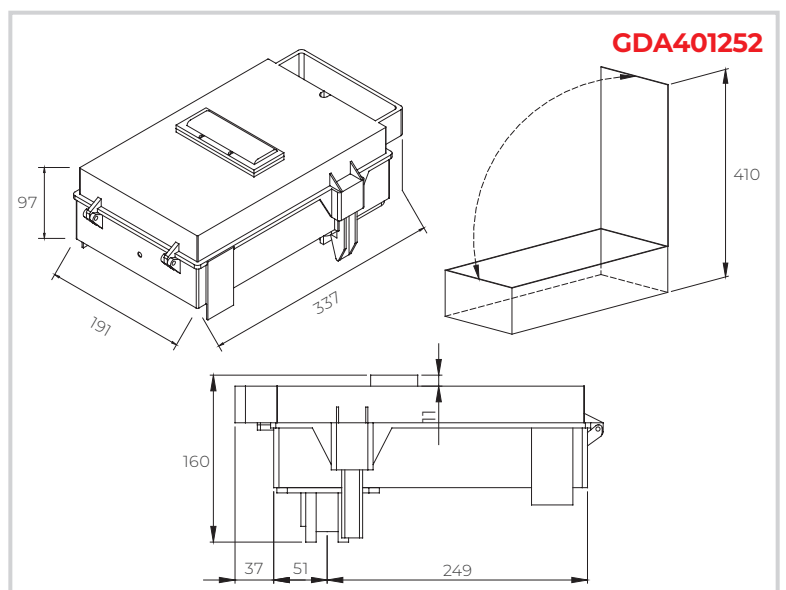
PRIPRAVENÉ PRE MODULÁRNE ISTIČE MCB IP55 IP55 PREFITTED FOR MCB



| Kód/Code | GDA 4 · GDA 5 | |
|---|--------------------|---------------|
| Materiál skrinky/Tap off material | GDA401252 | Plast/Plastic |
| Rozsah/Rating | 63/125 A | |
| Hmotnosť/Weight | 1,99 kg | |
| Materiál zbernic/Conductor material | Cu + Ag | |
| Max. prierez žíl káblov/Max cable section | 50 mm ² | |
| Max. priemer káblov/Max. entrance cable | ø 48 mm | |
| Počet modulov na DIN lište MCB number of modules on DIN rail | 8 | |



Na požiadanie krycie viečko (kód TAPPI4TE)
On request cover stripe (cod. TAPPI4TE)



Skrinky sa dajú vložiť na oboch stranách každého rovného prvku.
Tap off boxes can be inserted on each side of every straight element.

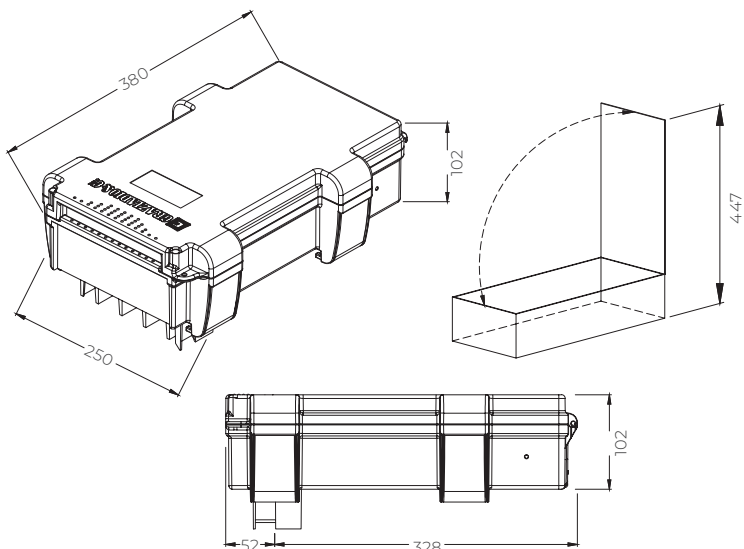


ODBOČOVACIE SKRINKY 160 A · TAP OFF BOX 160 A

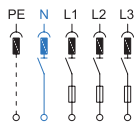
S POISTKOVÝM DRŽIAKOM IP55 · WITH FUSE BASES IP55



GDB160F0NH00 / GDB160F0PEN / GDB160V0



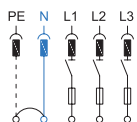
| Kód/Code | GDA 4 · GDA 5 | | | |
|---|--------------------------------|--|--|--|
| Materiál skrinky/Tap off material | GDB160F0NH00 Plast/Plastic | | | |
| Rozsah/Rating | 160 A | | | |
| Hmotnosť/Weight | 3,01 kg | | | |
| Materiál zbernic/Conductor material | Cu + Ag | | | |
| Max. prierez žíl káblov/Max cable section | 50 mm ² | | | |
| Max. priemer káblov/Max. entrance cable | Ø 60 mm | | | |
| Poistkový držiak/Fuse base type | NH00 | | | |
| Vykonanie/Execution | Vypnutá záťaž With off load | | | |



Trojfázové poistky nie sú súčasťou dodávky. The 3 phases fuses are not included.

PEN IP55

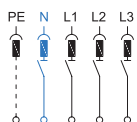
| Kód/Code | GDA 4 · GDA 5 | | | |
|---|--------------------------------|--|--|--|
| Materiál skrinky/Tap off material | GDB160F0PEN Plast/Plastic | | | |
| Rozsah/Rating | 160 A | | | |
| Hmotnosť/Weight | 2 kg | | | |
| Materiál zbernic/Conductor material | Cu + Ag | | | |
| Max. prierez žíl káblov/Max cable section | 50 mm ² | | | |
| Max. priemer káblov/Max. entrance cable | Ø 60 mm | | | |
| Poistkový držiak/Fuse base type | NH00 | | | |
| Vykonanie/Execution | Vypnutá záťaž With off load | | | |



Trojfázové poistky nie sú súčasťou dodávky. The 3 phases fuses are not included.

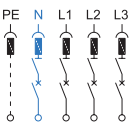
PRÁZDNA IP55 · EMPTY IP55

| Kód/Code | GDA 4 · GDA 5 | | | |
|--|--------------------------------|--|--|--|
| Materiál skrinky/Tap off material | GDB160V0 Plast/Plastic | | | |
| Rozsah/Rating | 160 A | | | |
| Hmotnosť/Weight | 2 kg | | | |
| Materiál zbernic/Conductor material | Cu + Ag | | | |
| Max. prierez žíl káblov/Max cable section | 50 mm ² | | | |
| Max. priemer káblov/Max. entrance cable | Ø 60 mm | | | |
| Voľný vnútorný priestor (mm) Free inside space (mm) | 178 x 220 x 80 (h) | | | |
| Vykonanie/Execution | Vypnutá záťaž With off load | | | |



Ideálne na vkladanie MCCB ističov a priemyselných zásuviek. Upevňovacie dosky na MCCB ističe sú k dispozícii na požiadanie. / Best choice to fit MCCB and industrial plug. On request available plates to fix MCCB.

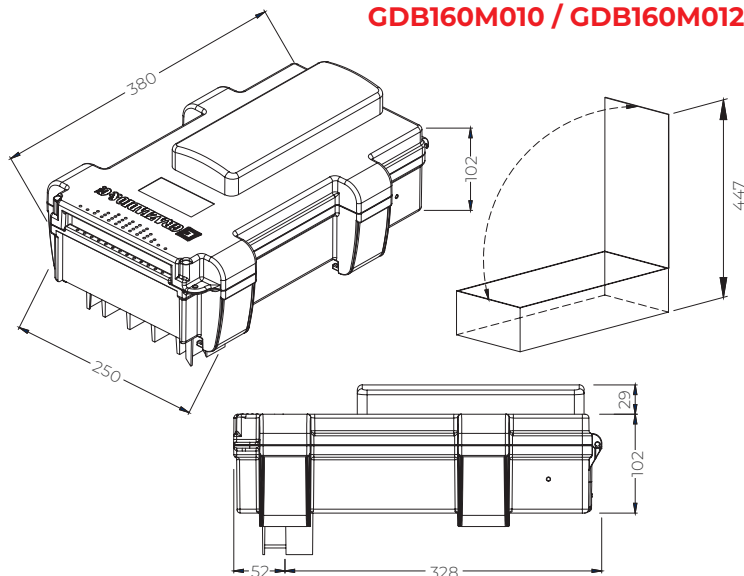
PRIPRAVENÉ PRE MODULÁRNE ISTIČE MCB
IP55 PREFITTED FOR MCB



| Kód/Code | GDA 4 · GDA 5 | | |
|---|--------------------|--------------------|--------------------|
| Materiál skrinky/Tap off material | GDB160M08 | GDB160M010 | GDB160M012 |
| Materiál skrinky/Tap off material | Plast/Plastic | Plast/Plastic | Plast/Plastic |
| Rozsah/Rating | 160 A | 160 A | 160 A |
| Hmotnosť/Weight | 3 kg | 3 kg | 3 kg |
| Materiál zbernic/Conductor material | Cu + Ag | Cu + Ag | Cu + Ag |
| Max. prierez žíl káblov/Max cable section | 50 mm ² | 50 mm ² | 50 mm ² |
| Max. priemer káblov/Max. entrance cable | Ø 60 mm | Ø 60 mm | Ø 60 mm |
| Počet modulov na DIN lište MCB number of modules on DIN rail | 8 | 10 | 12 |

Na požiadanie krycie viečko (kód TAPPI4TE)
On request cover stripe (cod. TAPPI4TE)

GDB160M010 / GDB160M012



Skrinky sa dajú vložiť na oboch stranách každého rovného prvku.
Tap off boxes can be inserted on each side of every straight element.



ODBOČOVACIE SKRINKY 160/250/400 A · TAP OFF BOX 160/250/400 A

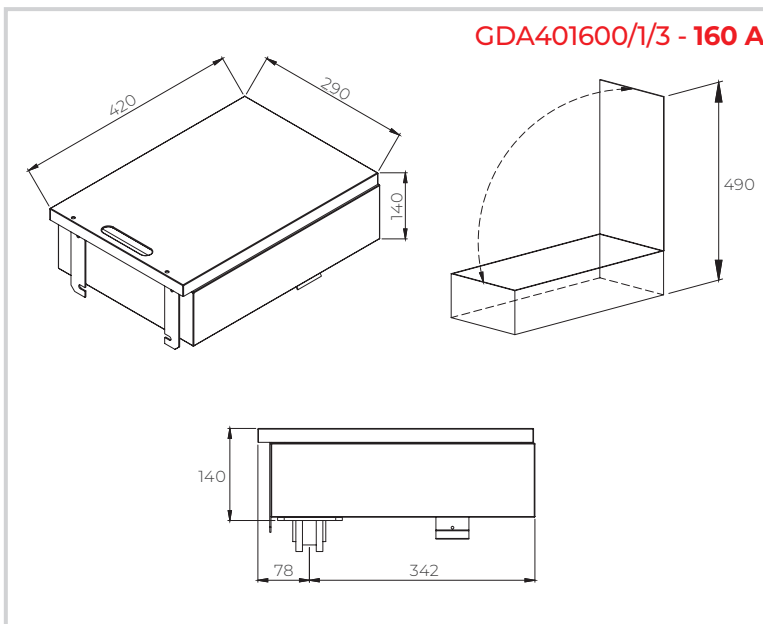
S POISTKOVÝM DRŽIAKOM IP55 · WITH FUSE BASES IP55



| Kód/Code | GDA 4 · GDA 5 | | |
|---|--------------------------------|--------------------------------|--------------------------------|
| | GDA401600 | GDA402500 | GDA404000 |
| Materiál skrinky/Tap off material | Oceľ/Steel | Oceľ/Steel | Oceľ/Steel |
| Rozsah/Rating | 160 A | 250 A | 400 A |
| Hmotnosť/Weight | 6 kg | 10,2 kg | 14,5 kg |
| Materiál zbernič/Conductor material | Cu + Ag | Cu + Ag | Cu + Ag |
| Max. prierez žíl káblov/Max cable section | 70 mm ² | 150 mm ² | 185 mm ² |
| Max. priemer káblov/Max. entrance cable | 75x250mm | 75x260mm | 135x260mm |
| Poistkový držiak/Fuse base type | NH00 | NH1 | NH2 |
| Vykonanie/Execution | Vypnutá záťaž With off load | Vypnutá záťaž With off load | Vypnutá záťaž With off load |

Trojfázové poistky nie sú súčasťou dodávky. The 3 phases fuses are not included.

GDA401600/1/3 - 160 A



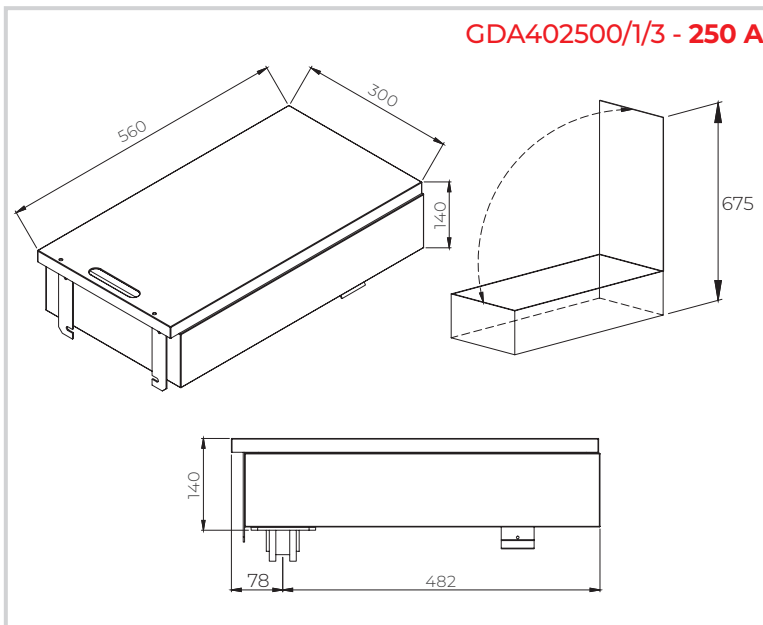
PEN IP55



| Kód/Code | GDA 4 · GDA 5 | | |
|---|--------------------------------|--------------------------------|--------------------------------|
| | GDA401601 | GDA402501 | GDA404001 |
| Materiál skrinky/Tap off material | Oceľ/Steel | Oceľ/Steel | Oceľ/Steel |
| Rozsah/Rating | 160 A | 250 A | 400 A |
| Hmotnosť/Weight | 6,01 kg | 10,4 kg | 14,7 kg |
| Materiál zbernič/Conductor material | Cu + Ag | Cu + Ag | Cu + Ag |
| Max. prierez žíl káblov/Max cable section | 70 mm ² | 150 mm ² | 185 mm ² |
| Max. priemer káblov/Max. entrance cable | 75x250mm | 75x260mm | 135x260mm |
| Poistkový držiak/Fuse base type | NH00 | NH1 | NH2 |
| Vykonanie/Execution | Vypnutá záťaž With off load | Vypnutá záťaž With off load | Vypnutá záťaž With off load |

Trojfázové poistky nie sú súčasťou dodávky. The 3 phases fuses are not included.

GDA402500/1/3 - 250 A



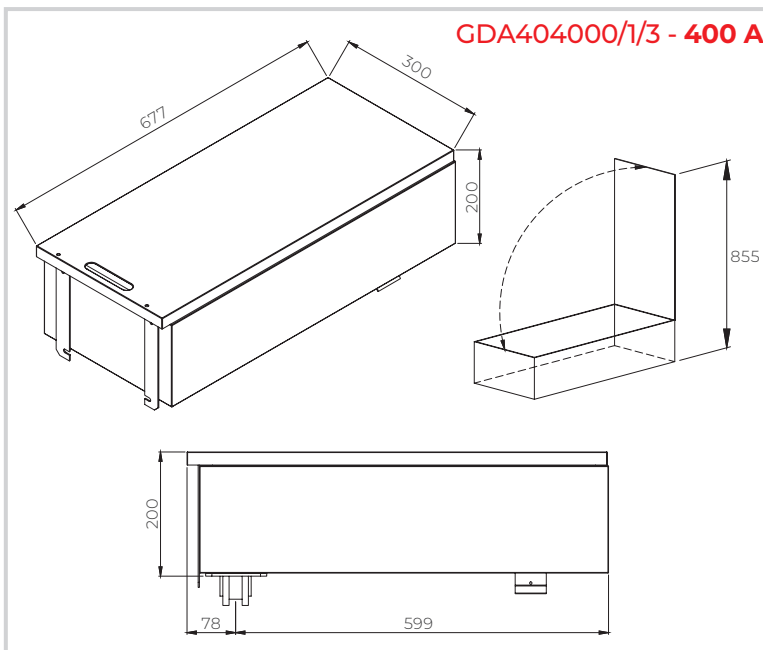
PRÁZDNA IP55 · EMPTY IP55



| Kód/Code | GDA 4 · GDA 5 | | |
|--|--------------------------------|--------------------------------|--------------------------------|
| | GDA401603 | GDA402503 | GDA404003 |
| Materiál skrinky/Tap off material | Oceľ/Steel | Oceľ/Steel | Oceľ/Steel |
| Rozsah/Rating | 160 A | 250 A | 400 A |
| Hmotnosť/Weight | 5,09 kg | 8,5 kg | 11,8 kg |
| Materiál zbernič/Conductor material | Cu + Ag | Cu + Ag | Cu + Ag |
| Max. prierez žíl káblov/Max cable section | 70 mm ² | 150 mm ² | 185 mm ² |
| Max. priemer káblov/Max. entrance cable | 75 x 250 mm | 75 x 260 mm | 135 x 260 mm |
| Voľný vnútorný priestor (mm) Free inside space (mm) | 240 x 240 x 125 (h) | 250 x 380 x 125 (h) | 250 x 480 x 185 (h) |
| Vykonanie/Execution | Vypnutá záťaž With off load | Vypnutá záťaž With off load | Vypnutá záťaž With off load |

Ideálne na vkladanie MCCB ističov a priemyselných zásuviek. Upevňovacie dosky na MCCB ističe sú k dispozícii na požiadanie. / Best choice to fit MCCB and industrial plug. On request available plates to fix MCCB.

GDA404000/1/3 - 400 A



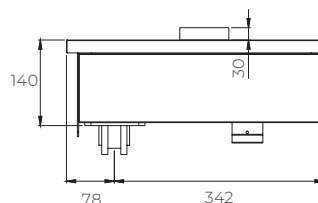
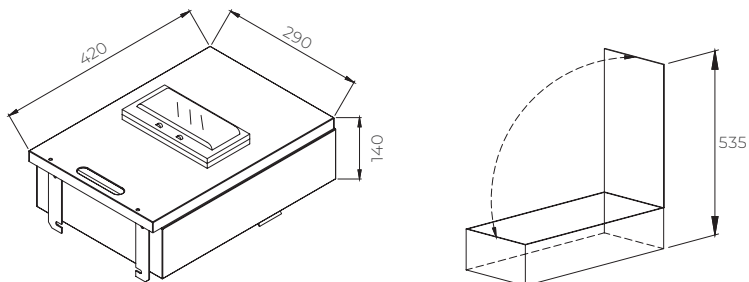
Skrinky sa dajú vložiť na oboch stranách každého rovného prvku.
Tap off boxes can be inserted on each side of every straight element.

ODBOČOVACIE SKRINKY 160/250/400 A · TAP OFF BOX 160/250/400 A

IP55 PRIPRAVENÉ PRE MODULÁRNE ISTIČE MCB
IP55 PREFITTED FOR MCB



GDA401602 - 160 A
GDA401602M12 - 160 A

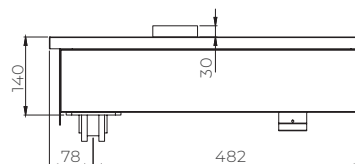
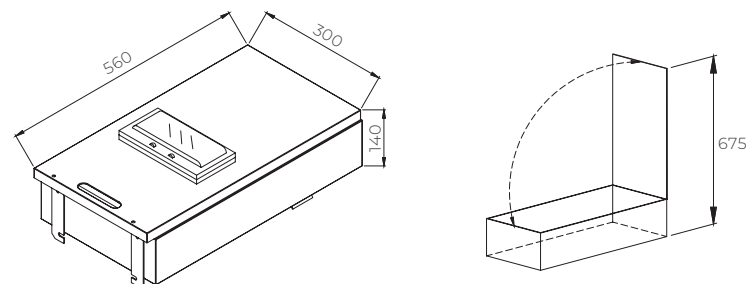


| Kód/Code | GDA 4 · GDA 5 | | PE | N | L1 | L2 | L3 |
|---|--------------------|--------------------|----|---|----|----|----|
| | GDA401602 | GDA401602M12 | | | | | |
| Materiál skrinky Tap off material | Oceľ Steel | Oceľ Steel | | | | | |
| Rozsah/Rating | 160 A | 160 A | | | | | |
| Hmotnosť/Weight | 6,1 kg | 7,2 kg | | | | | |
| Materiál zbernic Conductor material | Cu + Ag | Cu + Ag | | | | | |
| Max. prierez žíl káblov Max cable section | 70 mm ² | 70 mm ² | | | | | |
| Max. priemer káblov Max. entrance cable | 75 x 250 mm | 75 x 250 mm | | | | | |
| Počet modulov na DIN lište MCB number of modules on DIN rail | 8 | 12 | | | | | |

IP55 PRIPRAVENÉ PRE MODULÁRNE ISTIČE MCB
IP55 PREFITTED FOR MCB



GDA402502 - 250 A

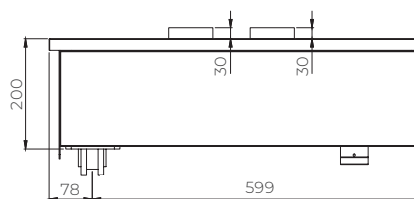
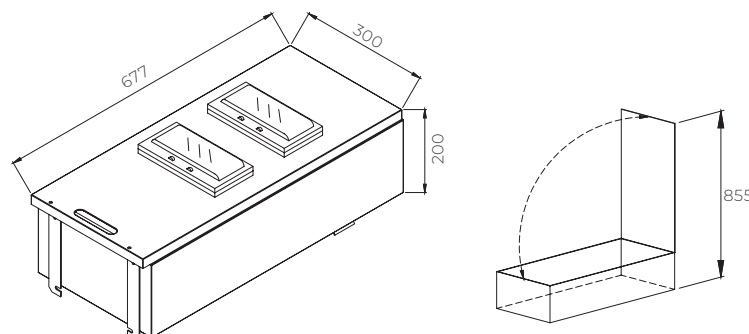


| Kód/Code | GDA 4 · GDA 5 | | PE | N | L1 | L2 | L3 |
|---|---------------------|--|----|---|----|----|----|
| | GDA402502 | | | | | | |
| Materiál skrinky Tap off material | Oceľ Steel | | | | | | |
| Rozsah/Rating | 250 A | | | | | | |
| Hmotnosť/Weight | 10,5 kg | | | | | | |
| Materiál zbernic Conductor material | Cu + Ag | | | | | | |
| Max. prierez žíl káblov Max cable section | 150 mm ² | | | | | | |
| Max. priemer káblov Max. entrance cable | 75 x 260 mm | | | | | | |
| Počet modulov na DIN lište MCB number of modules on DIN rail | 12 | | | | | | |

IP55 PRIPRAVENÉ PRE MODULÁRNE ISTIČE MCB
IP55 PREFITTED FOR MCB



GDA404002 - 400 A



| Kód/Code | GDA 4 · GDA 5 | | PE | N | L1 | L2 | L3 |
|---|---------------------|--|----|---|----|----|----|
| | GDA404002 | | | | | | |
| Materiál skrinky Tap off material | Oceľ Steel | | | | | | |
| Rozsah/Rating | 400 A | | | | | | |
| Hmotnosť/Weight | 11,2 kg | | | | | | |
| Materiál zbernic Conductor material | Cu + Ag | | | | | | |
| Max. prierez žíl káblov Max cable section | 185 mm ² | | | | | | |
| Max. priemer káblov Max. entrance cable | 135 x 260 mm | | | | | | |
| Počet modulov na DIN lište MCB number of modules on DIN rail | 12+12 | | | | | | |

Skrinky sa dajú vložiť na oboch stranách každého rovného prvku.
Tap off boxes can be inserted on each side of every straight element.



ODBOČOVACIE SKRINKY 630/800/1000/1250 A TAP OFF BOX 630/800/1000/1250 A

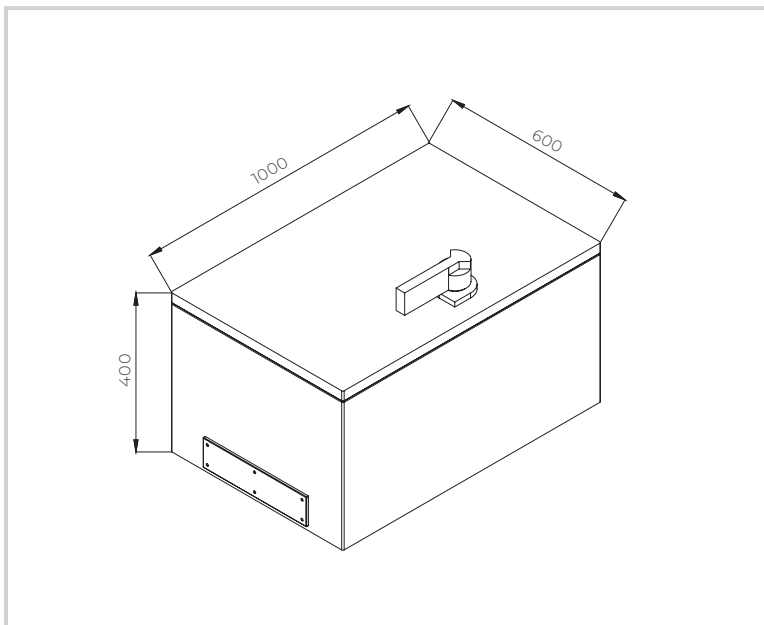
S POISTKOVÝM ODPOJOVAČOM IP55 · WITH FUSED SWITCH IP55



| Kód/Code | GDA 4 · GDA 5 | | |
|--|--------------------------------|--------------------------------|--------------------------------|
| | GDA40630* | GDA40800* | GDA41000* |
| Materiál skrinky Tap off material | Oceľ Steel | Oceľ Steel | Oceľ Steel |
| Rozsah/Rating | 630 A | 800 A | 1000 A |
| Hmotnosť/Weight | 55 kg | 70 kg | 95 kg |
| Materiál zberník Conductor material | Cu + Ag | Cu + Ag | Cu + Ag |
| Typ Type | Skrutkový spoj Joint bolted | Skrutkový spoj Joint bolted | Skrutkový spoj Joint bolted |
| Poistkový držiak/Fuse-base type | NH3 | NH3 | NH4 |
| Vykonanie Execution | Vypnutá záťaž With off load | Vypnutá záťaž With off load | Vypnutá záťaž With off load |

* 0 = 3P + N + PE / 1 = 3P + PEN

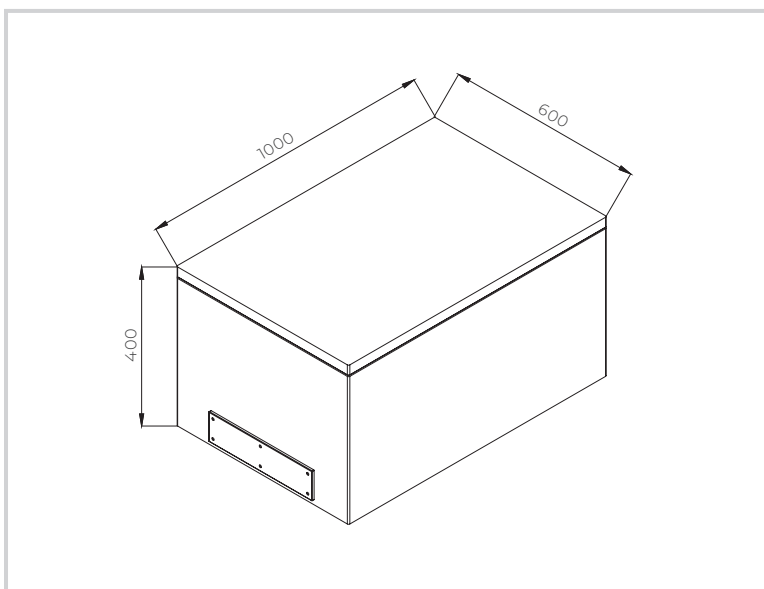
Trojfázové poistky nie sú súčasťou dodávky. The 3 phases fuses are not included.



PRÁZDNA IP55 · EMPTY IP55



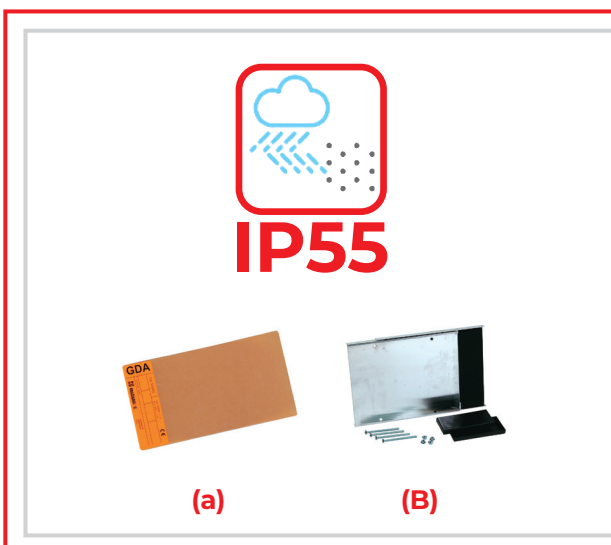
| Kód/Code | GDA 4 · GDA 5 | | |
|--|--------------------------------|--------------------------------|--------------------------------|
| | GDA406303 | GDA408003 | GDA410003 |
| Materiál skrinky Tap off material | Oceľ Steel | Oceľ Steel | Oceľ Steel |
| Rozsah/Rating | 630 A | 800 A | 1000 A |
| Hmotnosť/Weight | 55 kg | 55 kg | 55 kg |
| Materiál zberník Conductor material | Cu + Ag | Cu + Ag | Cu + Ag |
| Volný vnútorný priestor (mm) Free inside space (mm) | 770 x 550 x 350(h) | 770 x 550 x 350(h) | 770 x 550 x 350(h) |
| Typ Type | Skrutkový spoj Joint bolted | Skrutkový spoj Joint bolted | Skrutkový spoj Joint bolted |



Skrinky inštalujte s vypnutým vedením. V prípade objednávky náhradnej odbočovačovej skrinky uveďte, kde bude vedenie namontované.
Tap off boxes to install with lines off. In case of order of spare tap off indicate the line where will be mounted.

Rozvodné skrinky do 1250 A so skrutkovým spojom sú k dispozícii na požiadanie. / Tap off boxes bolted up to 1250 A available on request.

PRÍSLUŠENSTVO IP55 · IP55 ACCESSORIES



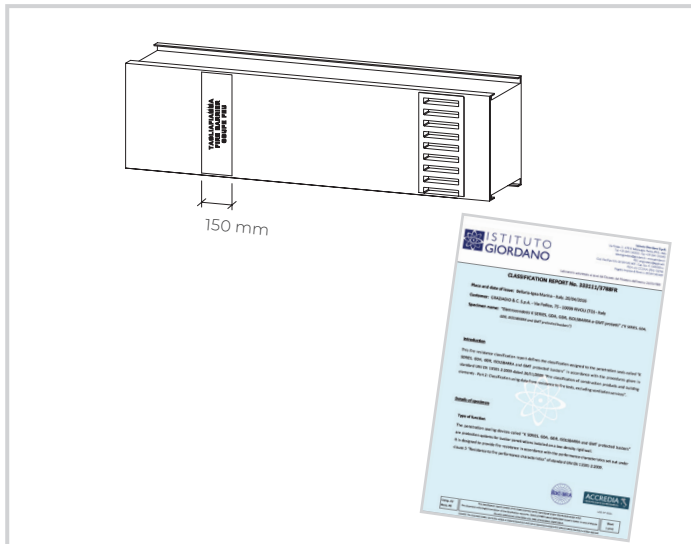
| | A | GDA 4 | GDA 5 |
|--|------------|-----------|-----------|
| | | Kód/Code | Kód/Code |
| Samolepiaci štítok (a) Sticky plug outlet cover (a) | 63/1600 | GDA500002 | GDA500002 |
| | 63/160 | GDA500000 | GDA500000 |
| | 250/400 | GDA500004 | GDA500004 |
| Kryt spojky IP55 (B) IP55 joint cover (B) | 500/1000 | GDA500005 | GDA500005 |
| | 1250/1600 | GDA500006 | GDA500006 |
| | 2000/2500A | GDA500007 | GDA500007 |
| | | | |

(a) a (b) sú navzájom alternatívne, pre každý bod odbočenia je potrebný 1.
(a) and (b) are alternatives. It is necessary 1 for every plug-in point.

| A | KRYT SPOJKY IP50 · COVER JOINT IP50 | |
|-----------|-------------------------------------|-------------------|
| | GDA 4 Kód/Code | GDA 5 Kód/Code |
| 63/160 | GDA7510 | GDA7510 |
| 250/400 | GDA6110 | GDA6110 |
| 500/1000 | GDA6111 | GDA6111 |
| 1250/1600 | GDACOGI16 | GDACOGI16 |
| 2000/2500 | GDACOGI20 | GDACOGI20 |

Spojky a kryty spojov IP50 sú súčasťou všetkých priamych a rohových prvkov. Môžu byť dodané ako náhradné diely (pozri tabuľku). / Joint and cover joint IP50 are included with each straight elements and with each elbow. For the spare part see the table.

PROTIPOŽIARNÁ PREPÁŽKA • FIRE BARRIER



| A | GDA 4 | GDA 5 |
|-----------|------------|------------|
| | Kód/Code | Kód/Code |
| 63/160 | GDA101006M | GDA201006M |
| 250/400 | GDA104006 | GDA204006 |
| 500/800 | GDA108006 | GDA208006 |
| 1000 | GDA110006 | GDA210006 |
| 1250/1600 | GDA116006 | GDA216006 |
| 2000/2500 | GDA125006 | GDA225006 |

Proti požiarnej prepážka s odolnosťou 120 minút je vopred namontovaná na ľubovoľný priamy alebo uholový prvok (objednáva sa samostatne) v polohe určenej zákazníkom. It is possible to install a fire barrier, 120 minutes resistance, in any straight element or elbow to be ordered separately. Always indicate where the fire barrier has to be placed.

JEDNOSKRUTKOVÁ SPOJKA MONOBLOCK • MONOBLOCK JOINT



PREDĽŽOVACÍ NÁDSTAVEC MOMENTOVÉHO KLÚČA (UŤAHOVACIE MOMENTY) / EXTENSION TOOL (TORQUE)

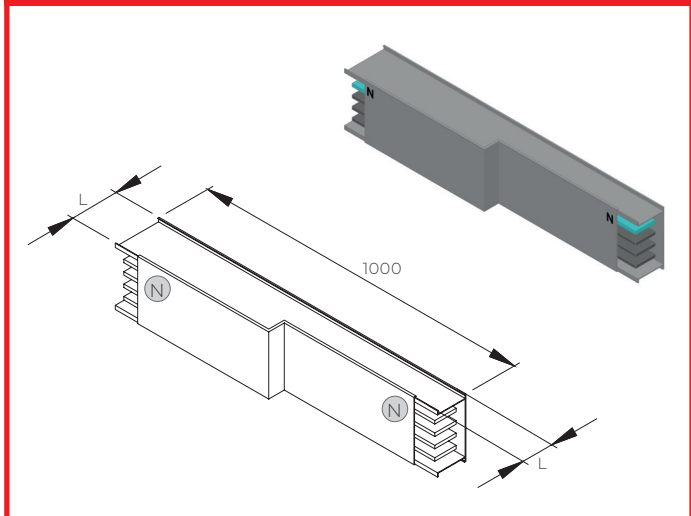


| A | GDA 4 | GDA 5 |
|-----------|----------|----------|
| | Kód/Code | Kód/Code |
| 63/160 | GDA7514 | GDA5G02 |
| 250/400 | GDA6014 | GDA6I35 |
| 500/1000 | GDA6015 | GDA6I36 |
| 1250/1600 | GDA4G16 | GDA5G16 |
| 2000/2500 | GDA4G20 | GDA5G20 |

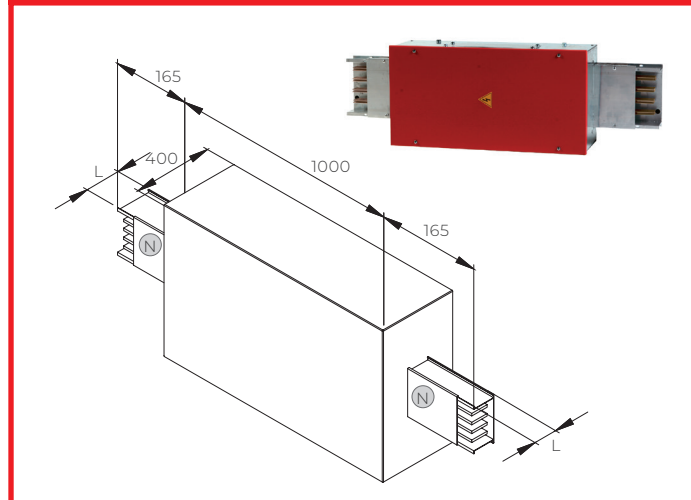
| A | Kód Code | Uťahovací moment bez predĺžovacieho nástavca Torque without extension tool | Uťahovací moment s predĺžovacím nástavcom Torque with extension tool |
|-----------|----------|---|---|
| 63/160 | GDA6199 | 8 Nm | 8 Nm |
| 250/400 | GDA6129 | 30 Nm | 15 Nm |
| 500/1000 | GDA6129 | 40 Nm | 22 Nm |
| 1250/1600 | GDA6129 | 55 Nm | 32 Nm |
| 2000/2500 | N.A. | 80 Nm | N.A. |

REDUKČNÁ TVAROVKA • REDUCTION UNIT

REDUKČNÁ TVAROVKA PRIAMA • DIRECT REDUCTION UNIT



REDUKČNÁ TVAROVKA SO SKRINKOU PRE MCCB REDUCTION UNIT WITH BOX FOR MCCB



| A | GDA 4 | GDA 5 |
|---------|-----------|-----------|
| | Kód/Code | Kód/Code |
| 63/2500 | GDARED★/◆ | GDARED★/◆ |

★ = označte prúd, ktorý sa má znížiť/indicate current to be reduced
◆ = označte znížený prúd/indicate current reduced
Príklad/Example = GDARED 800/400

Redukčné tvarovky podľa CEI 64/8 sa vyrábajú na požiadanie.
Reduction unit as CEI 64/8 are made on request.

| A | GDA 4 | GDA 5 |
|---------|--------------|--------------|
| | Kód/Code | Kód/Code |
| 63/2500 | GDAREDBOX★/◆ | GDAREDBOX★/◆ |

★ = označte prúd, ktorý sa má znížiť/indicate current to be reduced
◆ = označte znížený prúd/indicate current reduced
Príklad/Example = GDAREDBOX 800/400

Redukčné tvarovky podľa CEI 64/8 sa vyrábajú na požiadanie.
Reduction unit as CEI 64/8 are made on request.



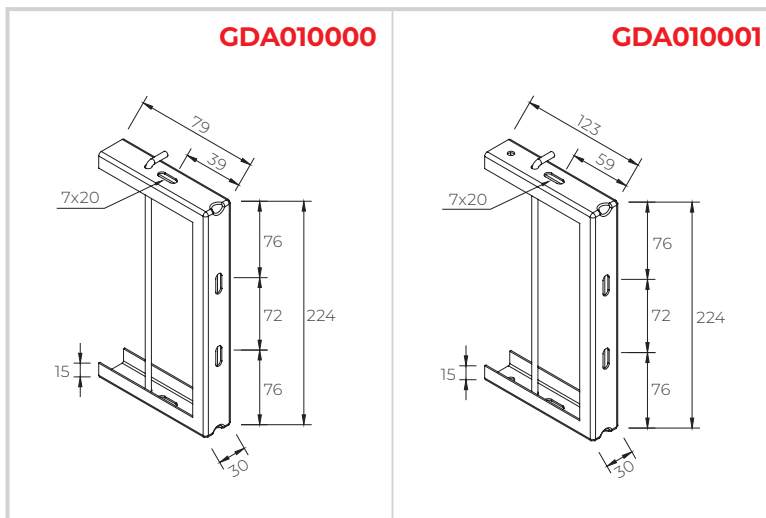
ZÁVESY, DRŽIAKY · FIXING HANGER



GDA01000*

| A | GDA 4 | GDA 5 | INOX |
|----------|-----------|-----------|-----------|
| | Kód/Code | Kód/Code | Kód/Code |
| 63/160 | GDA010000 | GDA010000 | GDA01000X |
| 250/1000 | GDA010001 | GDA010001 | GDA01000X |

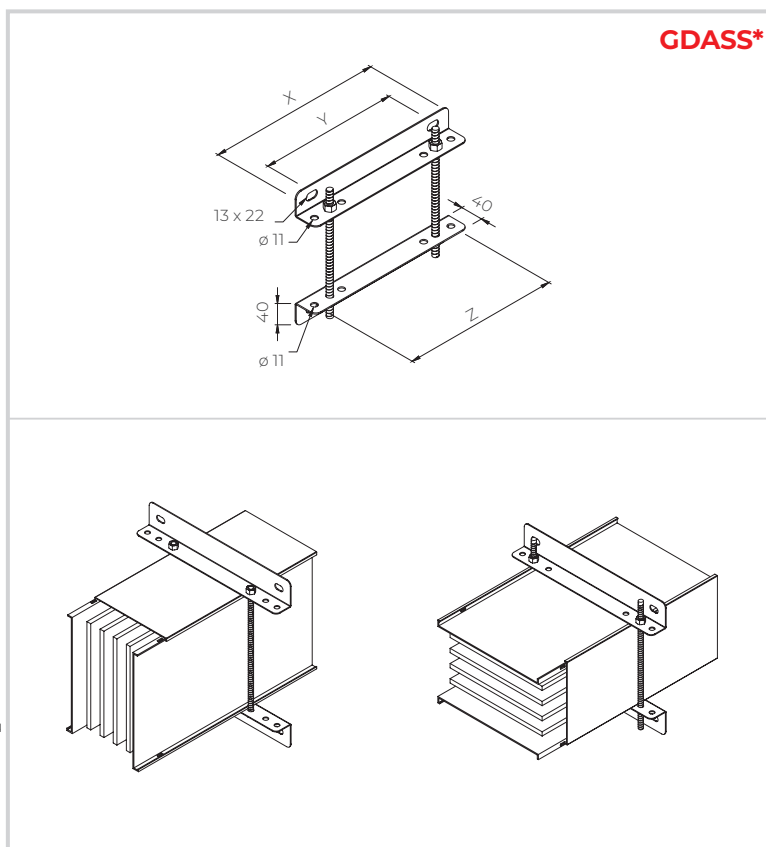
Na každý prvok GDA použite 2 držiaky.
Each GDA element need 2 fixing hangers.



GDASS*

| A | GDA 4 | GDA 5 | INOX |
|-----------|----------|----------|----------|
| | Kód/Code | Kód/Code | Kód/Code |
| 1250/1600 | GDASS4 | GDASS4 | GDASS4X |
| 2000/2500 | GDASS5 | GDASS5 | GDASS5X |

Na každý prvok GDA použite 2 držiaky.
Each GDA element need 2 fixing hangers.



| | X | Y | Z |
|--------|-----|-----|-----|
| GDASS4 | 297 | 236 | 266 |
| GDASS5 | 376 | 315 | 345 |

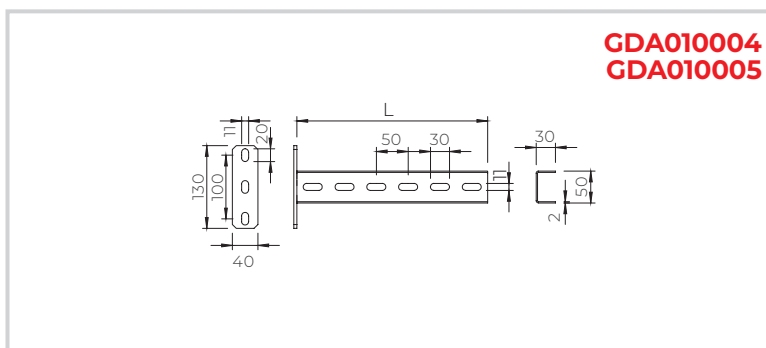
Všetky držiaky GDA možno použiť na rebrovanú alebo plochú stranu pripojnice.
All GDA fixing hangers can be used with lines on side or flat.



KONZOLA · BRACKET

| Dĺžka Lenght (mm) | Kg | GDA 4 | GDA 5 |
|----------------------|-----|-----------|-----------|
| | | Kód/Code | Kód/Code |
| 550 | 1,6 | GDA010004 | GDA010004 |
| 800 | 2,3 | GDA010005 | GDA010005 |

Konzoly možno použiť na stenu alebo na strop.
The brackets can be used wall or ceiling side.



GDA010004
GDA010005

ZÁSLEPKA · END CAP



| A | GDA 4 | GDA 5 |
|-----------|-----------|-----------|
| | Kód/Code | Kód/Code |
| 63/160 | GDA100027 | GDA100027 |
| 250/400 | GDA100028 | GDA100028 |
| 500/1000 | GDA100029 | GDA100029 |
| 1250/1600 | GDACT4 | GDACT4 |
| 2000/2500 | GDACT5 | GDACT5 |



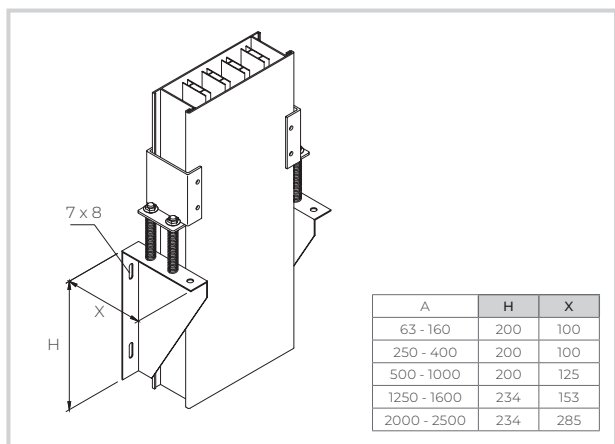
VERTIKÁLNE VEDENIA • VERTICAL LINES (RISING MAINS)

PODPERA VERTIKÁLNEHO VEDENIA HANGER FOR VERTICAL RISERS



| A | GDA 4 | GDA 5 |
|-----------|------------|------------|
| | Kód/Code | Kód/Code |
| 63/160 | GDA010002M | GDA010002M |
| 250/400 | GDA010002 | GDA010002 |
| 500/1000 | GDA010003 | GDA010003 |
| 1250/1600 | GDASSV4 | GDASSV4 |
| 2000/2500 | GDASSV5 | GDASSV5 |

Pri všetkých zvislých vedeniach, ktoré nie sú podopreté žiadnym uhlom a bez ohľadu na hmotnosť, musí byť okrem závesných držiakov nainštalovaná vždy 1 podpera vertikálneho vedenia v najnižšom bode, okrem toho kalkulujte 1 ďalšiu vertikálnu líniovú podperu na 150 kg. Ak je zvislé vedenie podopreté uhlovým prvkom na jednom alebo dvoch koncoch a má hmotnosť menšiu ako 150 kg, podperná vertikálneho vedenia nie je potrebná, 1 podperu vertikálneho vedenia uvažujte len v prípade pre zvislú hmotnosť každej časti zvislého vedenia o hmotnosti vyššej ako 150 kg. / For all risers that are not supported by any elbow and regardless of weight, in addition to the fixing hangers, 1 hanger for vertical risers must always be installed at the lowest point, also calculate 1 additional hanger for vertical risers every 150 kg. If the vertical line is supported by an elbow on one or two ends and weighs less than 150 kg, the hanger for vertical risers is not needed, consider 1 hanger for vertical risers every 150 kg only if the vertical weight is higher.

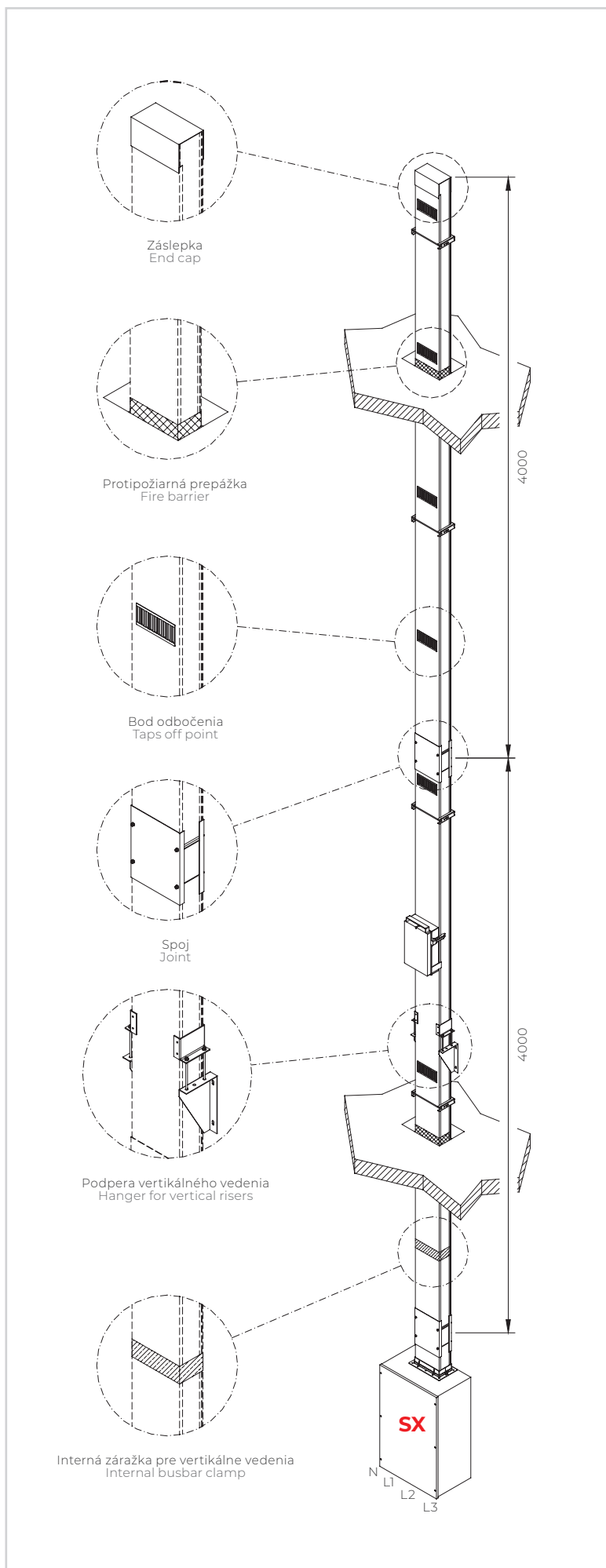


ZÁRAŽKA PRE VERTIKÁLNE VEDENIA INTERNAL BUSBAR CLAMP FOR VERTICAL RISERS

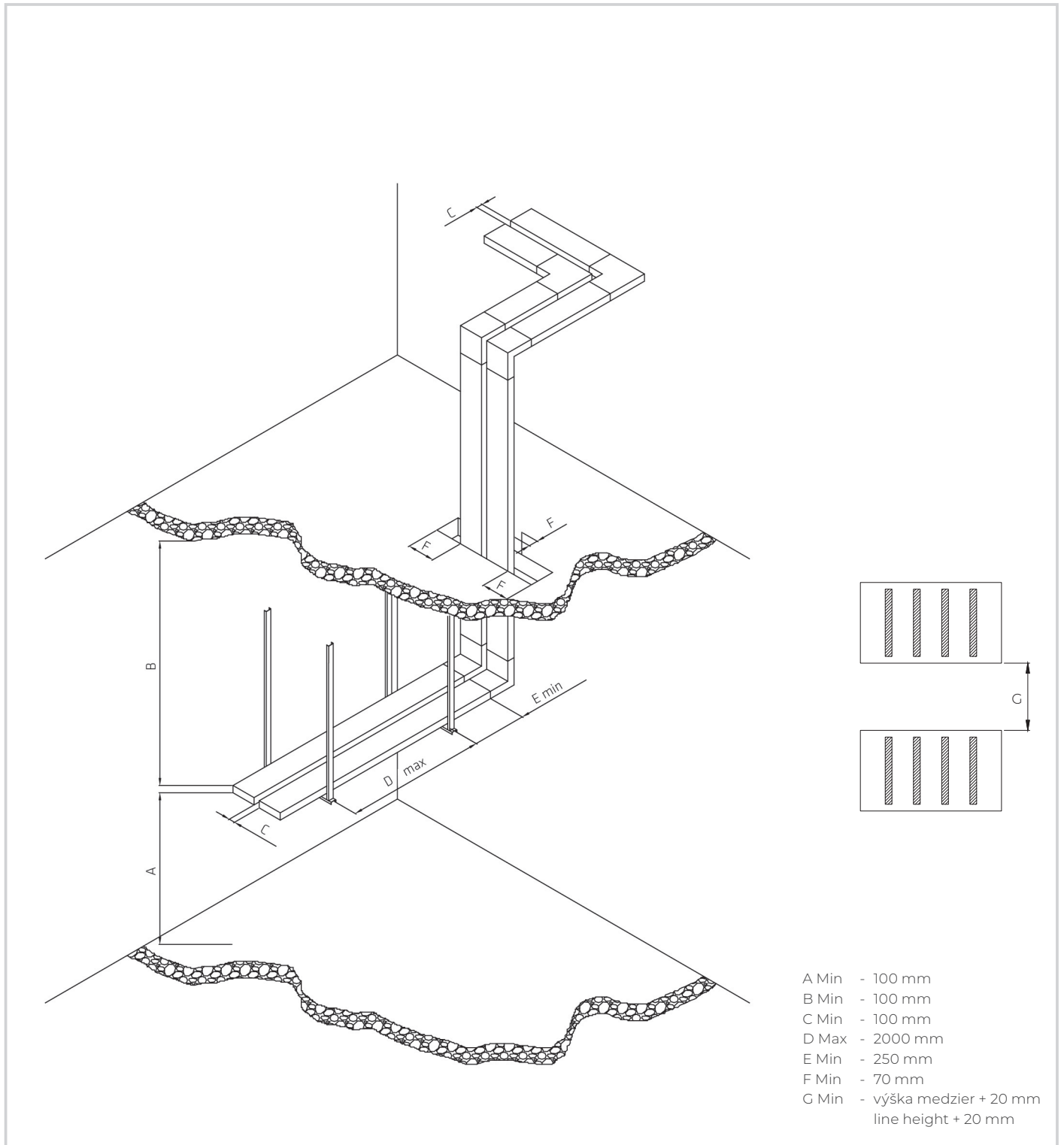


| A | GDA 4 | GDA 5 |
|-----------|------------|------------|
| | Kód/Code | Kód/Code |
| 63/160 | GDA104007M | GDA204007M |
| 250/400 | GDA104007 | GDA204007 |
| 500/800 | GDA108007 | GDA208007 |
| 1000 | GDA110007 | GDA210007 |
| 1250/1600 | GDA160007 | GDA260007 |
| 2000/2500 | GDA120007 | GDA220007 |

Zarážka sa dodáva vopred namontovaná na ľubovoľný priamy prvok (objednáva sa samostatne) a používa sa v každej vertikálnej trase v pomere jedna zarážka na 12 m vedenia, počnúc najnižším bodom. The internal busbar clamp is inserted in a standard straight element (to be ordered separately) every 12 m of vertical line. Start to mount the element with internal busbar clamp from lower line point.



MONTÁŽNE VZDIALENOSTI • MOUNTING DISTANCES



Platí pre:
Valid for:



| | | | | | | | | | | | | | | | |
|--|----------|--------------------|--------|--------|--------|--------|--------|--------|--------|--------|--------|---------|---------|---------|---------|
| Menovitý prúd Nominal current | I_n | [A] | 63 | 100 | 160 | 250 | 400 | 500 | 630 | 800 | 1000 | 1250 | 1600 | 2000 | 2500 |
| Rozmery Dimensions | D | [mm] | 191x45 | 191x45 | 191x45 | 191x65 | 191x65 | 191x94 | 191x94 | 191x94 | 191x94 | 191x145 | 191x145 | 191x270 | 191x270 |
| Menovité napätie Nominal voltage | U_e | [V] | 1000 | 1000 | 1000 | 1000 | 1000 | 1000 | 1000 | 1000 | 1000 | 1000 | 1000 | 1000 | 1000 |
| Izolačné napätie Insulation voltage | U_i | [V] | 1000 | 1000 | 1000 | 1000 | 1000 | 1000 | 1000 | 1000 | 1000 | 1000 | 1000 | 1000 | 1000 |
| Frekvencia Frequency | f | [Hz] | 50-60 | 50-60 | 50-60 | 50-60 | 50-60 | 50-60 | 50-60 | 50-60 | 50-60 | 50-60 | 50-60 | 50-60 | 50-60 |
| Prierez fázových vodičov Cross section phases | S_f | [mm ²] | 25 | 35 | 56 | 116 | 281 | 380 | 500 | 600 | 700 | 1000 | 1178 | 1750 | 2000 |
| Prierez neutrálneho vodiča Cross section neutral | S_n | [mm ²] | 25 | 35 | 56 | 116 | 281 | 380 | 500 | 600 | 700 | 1000 | 1178 | 1750 | 2000 |
| Prierez ochranného vodiča PE (hliníkový plášť) / Cross section of protective conductor (housing) | S_{PE} | [mm ²] | 943 | 943 | 943 | 1083 | 1083 | 1232 | 1232 | 1232 | 1232 | 1780 | 1780 | 1952 | 1952 |
| Prierez ochr. vodiča PE (5 zbernic) Cross section of earth bar (5th bar) | S_{PE} | [mm ²] | 60 | 60 | 60 | 120 | 120 | 210 | 210 | 210 | 210 | 360 | 360 | 360 | 360 |
| Odolnosť voči skratu, trojfázová (Is) Rated short circuit time current (Is) | I_{cw} | [kA] | 5 | 5 | 8 | 13 | 27 | 29 | 33 | 35 | 40 | 42 | 50 | 50 | 50 |
| Odolnosť voči skratu, trojfázová špičková / Peak current | I_{pk} | [kA] | 10,5 | 10,5 | 12 | 26 | 57 | 61 | 70 | 77 | 84 | 88 | 105 | 105 | 105 |
| Skratový prúd fáza-neutrálny vodič pre I_{cw} Rated short circuits time of neutral (I_{cn}) | I_{cw} | [kA] | 3 | 3 | 4,8 | 8,5 | 17 | 17 | 20 | 21 | 24 | 25 | 30 | 30 | 30 |
| Skratový prúd fáza-neutrálny vodič Peak current of neutral bar | I_{pk} | [kA] | 6 | 6 | 7 | 16 | 34 | 37 | 42 | 46 | 50 | 53 | 63 | 63 | 63 |
| Skratový prúd, fáza PE vodič pre I_{cw} Rated short circuit time of protective circuit (I_{cp}) | I_{cw} | [kA] | 3 | 3 | 4,8 | 8,5 | 17 | 17 | 20 | 21 | 24 | 25 | 30 | 30 | 30 |
| Skratový prúd fáza-PE vodič Peak current of protective circuit | I_{pk} | [kA] | 6 | 6 | 7 | 16 | 34 | 37 | 42 | 46 | 50 | 53 | 63 | 63 | 63 |
| Odpor fázového vodiča (T=20°C) Phase resistance (T=20°C) | R_{20} | [mΩ/m] | 1,284 | 0,917 | 0,573 | 0,261 | 0,112 | 0,072 | 0,065 | 0,052 | 0,048 | 0,030 | 0,026 | 0,020 | 0,018 |
| Reaktancia fázy Phase reactance | X | [mΩ/m] | 0,093 | 0,093 | 0,093 | 0,093 | 0,093 | 0,059 | 0,063 | 0,062 | 0,059 | 0,0428 | 0,0428 | 0,022 | 0,022 |
| Impedancia fázy (T=20°C) Phase impedance (T=20°C) | Z_{20} | [mΩ/m] | 1,287 | 0,922 | 0,581 | 0,356 | 0,170 | 0,110 | 0,107 | 0,091 | 0,084 | 0,053 | 0,0578 | 0,030 | 0,028 |
| Odpor neutrálneho vodiča Neutral resistance | R_N | [mΩ/m] | 1,284 | 0,917 | 0,573 | 0,261 | 0,112 | 0,072 | 0,065 | 0,052 | 0,048 | 0,030 | 0,026 | 0,020 | 0,018 |
| Reaktancia neutrálneho vodiča Neutral reactance | X_N | [mΩ/m] | 0,093 | 0,093 | 0,093 | 0,135 | 0,093 | 0,059 | 0,063 | 0,062 | 0,059 | 0,0428 | 0,0428 | 0,022 | 0,022 |
| Impedancia neutrálneho vodiča Neutral impedance | Z_N | [mΩ/m] | 1,281 | 0,922 | 0,581 | 0,356 | 0,170 | 0,110 | 0,107 | 0,091 | 0,077 | 0,053 | 0,0578 | 0,030 | 0,028 |
| Odpor PE vodiča (plášť) Protective conductor resistance | R_{PE} | [mΩ/m] | 0,037 | 0,037 | 0,037 | 0,032 | 0,032 | 0,028 | 0,028 | 0,028 | 0,028 | 0,0169 | 0,0169 | 0,018 | 0,018 |
| Reaktancia PE vodiča (plášť) Protective conductor reactance | X_{PE} | [mΩ/m] | 0,115 | 0,115 | 0,115 | 0,102 | 0,102 | 0,087 | 0,087 | 0,087 | 0,087 | 0,006 | 0,006 | 0,019 | 0,019 |
| Impedancia PE vodiča (plášť) Protective conductor impedance | Z_{PE} | [mΩ/m] | 0,121 | 0,121 | 0,121 | 0,107 | 0,107 | 0,091 | 0,091 | 0,091 | 0,091 | 0,018 | 0,018 | 0,026 | 0,026 |
| Odpor voči poruche fázy PE (plášť) Resistance of the fault loop | R_o | [mΩ/m] | 1,321 | 0,954 | 0,610 | 0,395 | 0,203 | 0,195 | 0,178 | 0,176 | 0,174 | 0,025 | 0,0207 | 0,038 | 0,036 |
| Reaktancia voči poruche fázy PE (plášť) Reactance of the fault loop | X_o | [mΩ/m] | 0,208 | 0,208 | 0,208 | 0,117 | 0,116 | 0,112 | 0,108 | 0,103 | 0,098 | 0,049 | 0,049 | 0,041 | 0,041 |
| Impedancia voči poruche fázy PE (plášť) Impedance of the fault loop | Z_o | [mΩ/m] | 1,338 | 0,976 | 0,644 | 0,412 | 0,234 | 0,224 | 0,208 | 0,204 | 0,200 | 0,055 | 0,0532 | 0,056 | 0,055 |
| Stupeň krytia IP Degree of protection IP | IP | | 50/55 | 50/55 | 50/55 | 50/55 | 50/55 | 50/55 | 50/55 | 50/55 | 50/55 | 50/55 | 50/55 | 50/55 | 50/55 |
| Straty spôsobené Joulovým efektom pri I_n Losses for the Joule effect at nominal current | P_j | [W/m] | 15,3 | 27,5 | 44 | 48,94 | 53,76 | 54,00 | 77,40 | 99,20 | 144,0 | 140,6 | 199,7 | 240 | 338 |
| Výhrevnosť Calorific power | | kJ/m | 2974 | 2974 | 2974 | 2974 | 2974 | 3353 | 3353 | 3353 | 3353 | 3411 | 3411 | 3411 | 3411 |

KOEFICIENT „X“ PRE ÚBYTOK NAPÄTIA PRI ROZLOŽENEJ ZÁŤAŽI [ΔV] - COEFFICIENT "X" FOR VOLTAGE DROP WITH DISTRIBUTED LOAD [ΔV]

| | | | | | | | | | | | | | | |
|---|------------|--------|--------|--------|--------|--------|--------|--------|--------|--------|--------|--------|--------|--------|
| $\Delta V = \frac{x \cdot I}{100} = [V] \quad x = \left[\frac{100 \cdot V}{m \cdot A} \right]$ | [A] | 63 | 100 | 160 | 250 | 400 | 500 | 630 | 800 | 1000 | 1250 | 1600 | 2000 | 2500 |
| | cosφ = 1,0 | 0,0668 | 0,0496 | 0,0336 | 0,0226 | 0,0097 | 0,0062 | 0,0056 | 0,0045 | 0,0043 | 0,0026 | 0,0026 | 0,0017 | 0,0016 |
| | cosφ = 0,9 | 0,0753 | 0,0556 | 0,0371 | 0,0254 | 0,0122 | 0,0078 | 0,0074 | 0,0064 | 0,0062 | 0,0040 | 0,0040 | 0,0024 | 0,0022 |
| | cosφ = 0,8 | 0,0832 | 0,0610 | 0,0403 | 0,0251 | 0,0126 | 0,0080 | 0,0078 | 0,0068 | 0,0067 | 0,0043 | 0,0043 | 0,0025 | 0,0024 |
| cosφ = 0,7 | 0,0901 | 0,0659 | 0,0431 | 0,0241 | 0,0125 | 0,0080 | 0,0078 | 0,0070 | 0,0069 | 0,0045 | 0,0045 | 0,0026 | 0,0024 | |

ÚBYTOK NAPÄTIA PRI SÚSTREDEŇOM ZÁŤAŽENÍ KONCOVÉHO VEDENIA [ΔV] - VOLTAGE DROP WITH CONCENTRATED END LINE LOAD [ΔV]

$$[\Delta V] = \sqrt{3} I_n (R_{\phi} \cos \varphi + x \sin \varphi) \text{ [mV/m]}$$

TEPLŇNÝ KOREKČNÝ KOEFICIENT "K" PRE VÝPOČET PRÍPUSTNÉHO MENOVIÉHO PRÚDU I_z AKO FUNKCIA PRIEMERNEJ TEPLŇTY MIESTNOSTI ZA 24 HODÍN
CORRECTION COEFFICIENT "K" TO CALCULATE ADMISSIBLE RATED CURRENT I_z BASED ON THE AVERAGE AMBIENT TEMPERATURE IN 24 H

| | | | | | | | | | | |
|---|-------|-------|-------|-------|-------|-------|-------|-------|-------|-------|
| | 10° C | 15° C | 18° C | 20° C | 25° C | 30° C | 35° C | 43° C | 50° C | 55° C |
| K | 1,20 | 1,19 | 1,18 | 1,17 | 1,14 | 1,10 | 1,06 | 1 | 0,90 | 0,64 |



| | | | | | | | | | | | | | |
|---|----------|--------------------|--------|--------|--------|--------|--------|--------|--------|--------|--------|---------|---------|
| Menovitý prúd Nominal current | I_n | [A] | 100 | 160 | 250 | 400 | 630 | 800 | 1000 | 1250 | 1600 | 2000 | 2500 |
| Rozmery Dimensions | D | [mm] | 191x45 | 191x45 | 191x45 | 191x65 | 191x65 | 191x65 | 191x65 | 191x94 | 191x94 | 191x145 | 191x145 |
| Menovité napätie Nominal voltage | U_e | [V] | 1000 | 1000 | 1000 | 1000 | 1000 | 1000 | 1000 | 1000 | 1000 | 1000 | 1000 |
| Izolačné napätie Insulation voltage | U_i | [V] | 1000 | 1000 | 1000 | 1000 | 1000 | 1000 | 1000 | 1000 | 1000 | 1000 | 1000 |
| Frekvencia Frequency | f | [Hz] | 50-60 | 50-60 | 50-60 | 50-60 | 50-60 | 50-60 | 50-60 | 50-60 | 50-60 | 50-60 | 50-60 |
| Prierez fázových vodičov Cross section phases | S_f | [mm ²] | 35 | 48 | 100 | 200 | 300 | 360 | 400 | 600 | 700 | 1000 | 1200 |
| Prierez neutrálneho vodiča Cross section neutral | S_n | [mm ²] | 35 | 48 | 100 | 200 | 300 | 360 | 400 | 600 | 700 | 1000 | 1200 |
| Prierez ochranného vodiča PE (hliníkový plášť) Cross section of protective conductor (housing) | S_{PE} | [mm ²] | 943 | 943 | 943 | 1083 | 1083 | 1083 | 1083 | 1232 | 1232 | 1780 | 1780 |
| Prierez ochranného vodiča PE (5 zberník) Cross section of earth bar (5th bar) | S_{PE} | [mm ²] | 60 | 60 | 60 | 120 | 120 | 120 | 120 | 210 | 210 | 360 | 360 |
| Odolnosť voči skratu, trojfázová na 1s Rated short circuit time current (1s) | I_{cw} | [kA] | 7 | 7 | 10 | 34 | 42 | 42 | 50 | 50 | 50 | 50 | 50 |
| Odolnosť voči skratu, trojfázová / Peak current | I_{pk} | [kA] | 12 | 12 | 17 | 71 | 88 | 88 | 105 | 105 | 105 | 105 | 105 |
| Skratový prúd fáza-neutrálny vodič pre 1s Rated short circuits time of neutral (1s) | I_{cw} | [kA] | 4 | 4 | 6 | 20 | 25 | 25 | 30 | 30 | 30 | 30 | 30 |
| Skratový prúd fáza-neutrálny vodič Peak current of neutral bar | I_{pk} | [kA] | 7 | 7 | 10 | 43 | 53 | 53 | 63 | 63 | 63 | 63 | 63 |
| Skratový prúd fáza-PE vodič pre 1s Rated short circuit time of protective circuit (1s) | I_{cw} | [kA] | 4 | 4 | 6 | 20 | 25 | 25 | 30 | 30 | 30 | 30 | 30 |
| Skratový prúd fáza-PE vodič Peak current of protective circuit | I_{pk} | [kA] | 7 | 7 | 10 | 43 | 53 | 53 | 63 | 63 | 63 | 63 | 63 |
| Odpor fázového vodiča (T=20°C) Phase resistance (T=20°C) | R_{20} | [mΩ/m] | 0,510 | 0,372 | 0,179 | 0,087 | 0,052 | 0,048 | 0,043 | 0,028 | 0,024 | 0,0175 | 0,0145 |
| Reaktancia fázy Phase reactance | X | [mΩ/m] | 0,098 | 0,098 | 0,098 | 0,064 | 0,063 | 0,062 | 0,062 | 0,059 | 0,059 | 0,0428 | 0,0428 |
| Impedancia fázy (T=20°C) Phase impedance (T=20°C) | Z_{20} | [mΩ/m] | 0,519 | 0,385 | 0,204 | 0,108 | 0,082 | 0,078 | 0,075 | 0,065 | 0,064 | 0,0462 | 0,045 |
| Odpor neutrálneho vodiča Neutral resistance | R_N | [mΩ/m] | 0,510 | 0,372 | 0,179 | 0,087 | 0,052 | 0,048 | 0,043 | 0,028 | 0,024 | 0,0175 | 0,0145 |
| Reaktancia neutrálneho vodiča Neutral reactance | X_N | [mΩ/m] | 0,098 | 0,098 | 0,098 | 0,064 | 0,063 | 0,062 | 0,062 | 0,059 | 0,059 | 0,0428 | 0,0428 |
| Impedancia neutrálneho vodiča Neutral impedance | Z_N | [mΩ/m] | 0,519 | 0,385 | 0,204 | 0,108 | 0,082 | 0,078 | 0,075 | 0,065 | 0,064 | 0,0462 | 0,045 |
| Odpor PE vodiča (plášť) Protective conductor resistance | R_{PE} | [mΩ/m] | 0,037 | 0,037 | 0,037 | 0,032 | 0,032 | 0,032 | 0,032 | 0,028 | 0,028 | 0,0169 | 0,0169 |
| Reaktancia PE vodiča (plášť) Protective conductor reactance | X_{PE} | [mΩ/m] | 0,115 | 0,115 | 0,115 | 0,102 | 0,102 | 0,102 | 0,102 | 0,087 | 0,087 | 0,006 | 0,006 |
| Impedancia PE vodiča (plášť) Protective conductor impedance | Z_{PE} | [mΩ/m] | 0,121 | 0,121 | 0,121 | 0,107 | 0,107 | 0,107 | 0,107 | 0,091 | 0,091 | 0,018 | 0,018 |
| Odpor voči poruche fázy PE (plášť) Resistance of the fault loop | R_O | [mΩ/m] | 0,547 | 0,409 | 0,216 | 0,119 | 0,084 | 0,080 | 0,075 | 0,059 | 0,056 | 0,034 | 0,031 |
| Reaktancia voči poruche fázy PE (plášť) Resistance of the fault loop | X_O | [mΩ/m] | 0,213 | 0,213 | 0,213 | 0,166 | 0,165 | 0,164 | 0,164 | 0,152 | 0,146 | 0,049 | 0,049 |
| Impedancia voči poruche fázy PE (plášť) Impedance of the fault loop | Z_O | [mΩ/m] | 0,587 | 0,461 | 0,303 | 0,204 | 0,185 | 0,182 | 0,180 | 0,162 | 0,156 | 0,060 | 0,058 |
| Stupeň krytia IP Degree of protection IP | IP | | 50/55 | 50/55 | 50/55 | 50/55 | 50/55 | 50/55 | 50/55 | 50/55 | 50/55 | 50/55 | 50/55 |
| Straty spôsobené Joulovým efektom pri I_n Losses for the Joule effect at nominal current | P_j | [W/m] | 15,3 | 28,6 | 33,6 | 48,3 | 71,4 | 107,0 | 129,0 | 145,3 | 215,0 | 243,0 | 314,6 |
| Výhrevnosť Calorific power | | [kJ/m] | 2974 | 2974 | 2974 | 2974 | 2974 | 3353 | 3353 | 3353 | 3411 | 3411 | 3411 |

KOEFIČIENT „X“ PRE ÚBYTOK NAPÄTIA PRI ROZLOŽENEJ ZÁŤAŽI [ΔV] - COEFFICIENT "X" FOR VOLTAGE DROP WITH DISTRIBUTED LOAD [ΔV]

| | | | | | | | | | | | | |
|---|------------|--------|--------|--------|--------|--------|--------|--------|--------|--------|--------|--------|
| $\Delta V = \frac{x \cdot I}{100} = [V] \quad x = \left[\frac{100 \cdot V}{m \cdot A} \right]$ | [A] | 100 | 160 | 250 | 400 | 630 | 800 | 1000 | 1250 | 1600 | 2000 | 2500 |
| | cosφ = 1,0 | 0,0310 | 0,0245 | 0,0155 | 0,0087 | 0,0052 | 0,0043 | 0,0043 | 0,0028 | 0,0024 | 0,0018 | 0,0015 |
| | cosφ = 0,9 | 0,0341 | 0,0266 | 0,0163 | 0,0103 | 0,0071 | 0,0062 | 0,0062 | 0,0050 | 0,0044 | 0,0032 | 0,0029 |
| | cosφ = 0,8 | 0,0368 | 0,0285 | 0,0169 | 0,0103 | 0,0074 | 0,0067 | 0,0067 | 0,0056 | 0,0050 | 0,0036 | 0,0034 |
| | cosφ = 0,7 | 0,0372 | 0,0301 | 0,0173 | 0,0100 | 0,0075 | 0,0069 | 0,0069 | 0,0060 | 0,0053 | 0,0039 | 0,0037 |

ÚBYTOK NAPÄTIA PRI SÚSTREDENOM ZAŤAŽENÍ KONCOVÉHO VEDENIA [ΔV] - VOLTAGE DROP WITH CONCENTRATED END LINE LOAD [ΔV]

$$[\Delta V] = \sqrt{3} I_n (R_{\phi} \cos\phi + x \sin\phi) \text{ [mV/m]}$$

TEPLOTNÝ KOREKČNÝ KOEFICIENT "K" PRE VÝPOČET PRÍPUSTNÉHO MENOVITÉHO PRÚDU I_z AKO FUNKCIA PRIEMERNEJ TEPLOTY MIESTNOSTI ZA 24 HODÍN
THERMIC CORRECTION COEFFICIENT "K" TO CALCULATE ADMISSIBLE RATED CURRENT I_z BASED ON THE AVERAGE AMBIENT TEMPERATURE IN 24 H

| | | | | | | | | | | |
|---|-------|-------|-------|-------|-------|-------|-------|-------|-------|-------|
| K | 10° C | 15° C | 18° C | 20° C | 25° C | 30° C | 35° C | 43° C | 50° C | 55° C |
| | 1,20 | 1,19 | 1,18 | 1,17 | 1,14 | 1,10 | 1,06 | 1 | 0,90 | 0,64 |



NÁRVRH GDA

DESIGN THE GDA

| | | | | | | | |
|--------------------------|--------------------------|--------------------------|---|--------------------------|--------------------|-----------------|----------------------|
| In _____ A | Un _____ V | Frekvencia _____ Hz | Teplota t _o _____ C° t _{max} _____ C° | | Projekt Project | | |
| 2P | 4P | 6P | 8P | 2+2P | Trasa Line | Dĺžka Lenght | Skrinka Tap off's |
| <input type="checkbox"/> | <input type="checkbox"/> | <input type="checkbox"/> | <input type="checkbox"/> | <input type="checkbox"/> | č. _____ | m _____ | In _____ č. _____ |
| | | | | | | | |



TECHNICKÉ ŠPECIFIKÁCIE

SPECIFICATION TEXT

Distribučné systémy

Plug-in busbar

Predmet

Prefabrikovaný prípojnicový systém od 63 A do 2500 A pre rozvod energie

Variabilné rozmerové charakteristiky

Póly pre menovitý prúd v A.

Technické vlastnosti

Prefabrikovaný prípojnicový systém s hliníkovými zbernicami UNI 3570 alebo elektrolytickou meďou ETP 99.9 s jednoskrutkovými spojmi a hliníkovým ochranným puzdrom. Vonkajší plášť je využitý ako PE vodič, ktorý musí zaručovať elektrickú kontinuitu pozdĺž celého vedenia.

Hliníkové vodiče majú špeciálny "H" profil, aby sa čo najlepšie využili skinefekt.

Systém 3P+N s prierezom neutrálnej zbernice rovným prierezu fázovej zbernice a ochranným vodičom vyrobeným z hliníkového plášťa s prierezom vždy väčším ako je prierez fázovej zbernice.

Stupeň krytia IP50 rozšíriteľný až na IP55 (certifikované).

Systém je vhodný na inštaláciu na strop, na stenu, do stúpacej trasy bez zníženia kvality.

Elektrické parametre

Menovité prúdy: 63-100-160-250-400-500-630-800-1000-1250-1600-2000-2500 A

Menovitý pracovný prúd pri izbovej teplote: $T_{med24h} = 43\text{ }^{\circ}\text{C}$ (24-hodinový priemer).

Menovité izolačné napätie U_i : 1000 V

Menovitá frekvencia: 50-60 Hz

Skratová odolnosť, trojfázová po dobu 1 s: od 5 do 50 kA (pozri dátový list).

Rovné prvky

Rovné prvky sa vyrábajú o dĺžke 4 m štandardne, aby sa minimalizoval počet spojov. K dispozícii sú prvky na objednávku v dĺžke od 0,3 do 3,99 m. Pre každú stranu prípojnice je k dispozícii až 8 odbočovacích bodov.

Maximálna vzdialenosť medzi dvoma po sebe nasledujúcimi závesnými konzolami je 3 m.

Špeciálne prvky

Na mieru možno realizovať rovné, uhlové, dvojuhlové, koncové jednotky s uhlami alebo bez nich, na vytvorenie akejkoľvek trasy.

Prípojenia k transformátorom/rozdávčaom

Flexibilné svorkové prípojky na prepojenie svorkových hláv so svorkami transformátorov alebo rozvádzačov.

Odbočovacie skrinky

Zásuvné odbočovacie skrinky s krytím IP55, môžu byť vložené pod napätím s menovitými prúdmi 32-63-125-250-400 A

Postriebrené kontakty napájacej skrinky sú tvarované tak, aby mali vynikajúci povrchový kontakt so zbernicami, je možné ich vložiť každý meter vedenia.

Odbočovacie skrinky pre prúdy 32 A môžu byť vo verzii s držiakmi poistiek typu 10,3x38 alebo sú pripravené na montáž modulárneho ističa, spínača.

Odbočovacie skrinky 63 A, 125 A, 250 A a 400 A môžu byť v delenej verzii s držiakmi poistiek typu NH00, NH1 a NH2 alebo pripravené na montáž modulárneho spínača.

Skrutkované odbočovacie skrinky na spoji s menovitými prúdmi 630-800-1000-1250 A vo verzii s držiakmi poistiek alebo určené na umiestnenie ističov (MCCB).

Príslušenstvo

Koncové alebo stredové napájacie jednotky a koncové uzatváracie záslepky. Prípadné dilatačné prvky a ohňovzdorné prestupy s požiarnou odolnosťou 120 minút. Závesné systémy pre horizontálne alebo vertikálne vedenia.

REFERENČNÉ NORMY

EN 61439/1-6

EN 61439/1-6

EN 60529

Značka CE

Certifikát ISO9001

TESTY A SKÚŠKY

Typové certifikáty. Rutinné testy (protokoly o testoch na požiadanie).

DOKUMENTÁCIA PRÍLOŽENÁ K PRODUKTU

Vyhlasenie výrobcu o zhode s predpismi o výrobku.

Technické listy.

Návod na inštaláciu, prevádzku a údržbu.

Subject: Busbar trunking system from 63 A to 2500 A for the current distribution.

Dimensional characteristics variables: Pole for rated current in A

SPECIFICATIONS BINDING QUALITY Busbar trunking system with aluminum busbars UNI 3570 or electrolytic copper with 99.9 ETP one-bolt joint and protective casing made of aluminum. The outer casing shall perform the function of the PE conductor and ensure electrical continuity throughout the duct.

The aluminum conductors have a special profile "H" to take advantage of the skin effect.

3P + N system with neutral section equal to that of phase and protective conductor made from the foil section with always greater than the phase.

Degree of protection IP50 can be increased up to IP55 (certificate).

The system is suitable for installation on ceiling, wall, riser without derating.

Electrical data

Rated currents: A 63-100-160-250-400-500-630-800-1000-1250-1600-2000-2500

Rated operational current at room temperature: $T_{med24h} = 43\text{ }^{\circ}\text{C}$ (24-hour average).

Rated insulation voltage U_i : 1000 V

Rated frequency: 50-60 Hz

Short-circuit withstand of short duration, three-phase for 1 s: 5 to 50 kA (see data sheet).

Straight elements

Rectilinear elements standard 4 m in order to minimize the number of joints. There are elements of measurement from 0.3 to 3.99 m.

Are available up to 8 points derived for each side of the duct.

The maximum distance between two consecutive suspension brackets is 3 m.

Special Items

They are made to measure rectilinear elements, corner, two corners, with or without a terminal units required to make each type of route.

Connections to the panels

Connection terminals for connection to the panels with the help of flexible terminals.

Tap-off boxes

Tap off boxes are plug-in type with IP55 degree of protection, inserted under voltage with rated currents of 32-63-125-250-400 A

Contact gripping current silver and shaped so as to have a good surface contact with the conductor, inserted every meter on the conduit.

The junction boxes for currents of 32 A may be in the version with fuse bases type 10,3x38 or prepared for the mounting of a modular switch.

The junction boxes 63 A, 125 A, 250 A and 400 A, can be sectioned version with fuse bases respectively type NH00, NH1 and NH2 or prepared for the mounting of a modular switch.

Spine-derived imbullonate on the coupling with rated currents of 630-800-1000-1250 A version with disconnectors or fuse set for housing circuit breakers (MCCB).

Accessories

End feed boxes or intermediate feed boxes and end caps.

Any REI 120 fire resistant wall bushing.

Suspension systems for horizontal or vertical lines.

REFERENCE STANDARDS

IEC 61439/1-6

IEC 61439/1-6

CEI EN60529

CE Marking

ISO9001 Certification

REQUIREMENTS AND TESTS

Certificates of type

Routine tests (test reports available on request)

DOCUMENTATION ACCOMPANYING THE PRODUCT

Declaration of compliance with the manufacturer's product

Datasheets

Installation, use and maintenance.



Pokyny na zameranie a montážne video
Focus instructions and assembly video



VYHLÁSENIE O ZHODE

CONFORMITY DECLARATION

Typové skúšky v súlade s IEC normou EN 61439-1 a 6

Type test according to IEC Standard 61439-1 and 6

- Odolnosť proti skratu
- Stupeň krytia (IP kód)
- Izolácia
- Izolačný odpor
- Medzná teplota
- Odolnosť voči cudziemu napätiu
- Odolnosť voči bežnému zaťaženiu
- Účinnosť ochranného obvodu
- Vzdušné a povrchové vzdialenosti
- Stupeň mechanickej odolnosti krytov (kód IK)
- Mechanická prevádzka
- Zapojenie, elektrická prevádzka
- Short-circuit resistance
- Casing degree of protection (IP code)
- Insulation
- Insulation resistance
- Overheating limit
- Applied voltage resistance
- Resistance to normal loads
- Protective circuit efficiency
- Air and surface distances
- Casing degree of protection (IK code)
- Mechanical operation
- Wiring, electrical operation

Týmto na vlastnú zodpovednosť vyhlasujeme, že sortiment prípojnic Graziadio prešiel všetkými vyššie uvedenými typovými skúškami, ako to vyžaduje citované nariadenie, pre ktoré je výrobok označený znakom:

We declare under our own responsibility that the Graziadio's product range performed all the above mentioned type test, according to the Standard, so the product is marked:



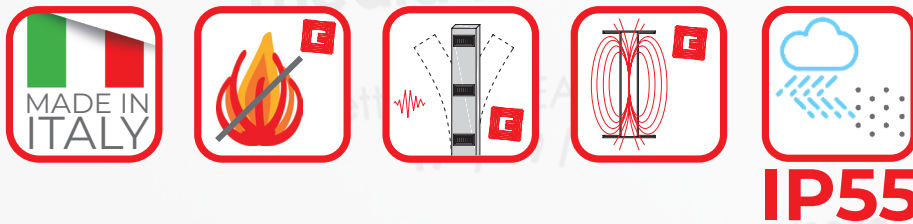
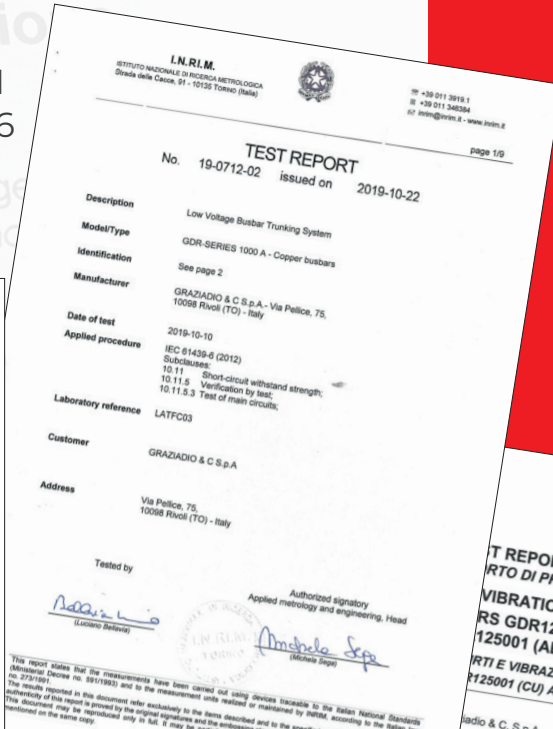
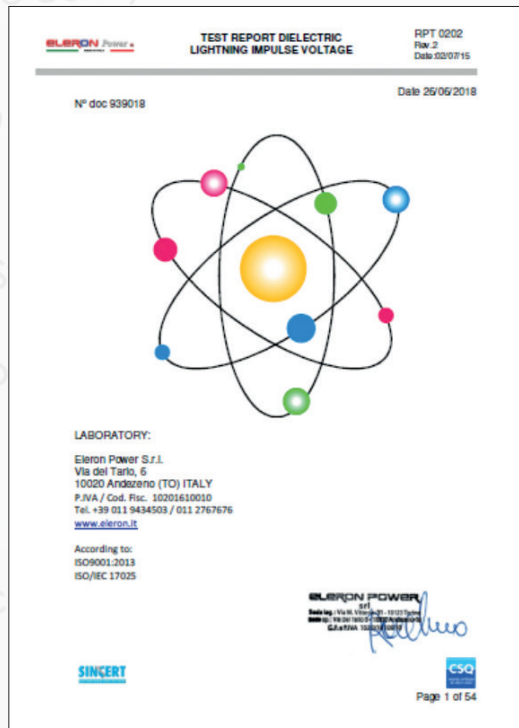


Certifikáty Certifications

Elektrické pripojnice typ GDA opísané v tejto publikácii vyhovuje nasledujúcim normám:

GDA busbar described in this publication complies with the following standards:

- IEC 61439-1 CEI EN 61439-1
- IEC 61439-6 CEI EN 61439-6
- IEC 60529 CEI EN 60529
- CEI EN50102



GDA 63-2500 A



GDA 63-2500 A

VŠEOBECNÉ OBCHODNÉ PODMIENKY

1. PODMIENKY. Dodávky sa uskutočňujú za podmienok dohodnutých písomne. Akákoľvek telefonická alebo ústna dohoda je nezáväzná. Pre všetko, čo nie je výslovne dohodnuté, platia tieto všeobecné podmienky.

2. DOPRAVA. Všetky nami dodávané materiály, pokiaľ nie je výslovne dohodnuté inak, sú vždy určené na dodanie zo závodu. Tovar je prepravovaný na riziko zákazníka a my odmietame akúkoľvek zodpovednosť, aj keď prepravu vykonávame my.

3. MINIMÁLNA FAKTUROVATEĽNÁ SUMA. Neakceptujeme objednávky s čistou zúčtovateľnou sumou nižšou ako 150 EUR. DPH a všetky ostatné dane sú samostatné a platí ich zákazník.

4. TERMÍNY. Dodacie podmienky sú v každom prípade orientačné a nezáväzné a začínajú plynúť od okamihu, keď nám bude doručené akceptované a podpísané potvrdenie objednávky. Akékoľvek omeškanie, bez ohľadu na príčinu, neznamená právo na náhradu škody alebo úrok, pokiaľ to nie je výslovne dohodnuté.

5. ODOBRATIE TOVARU. V prípade, že kupujúci neprevezme tovar v dohodnutej dodacej lehote, oznámime mu, že tovar je pripravený. Po uplynutí 8 dní odo dňa oznámenia bude tovar k dispozícii kupujúcemu a budú mu účtované náklady na uskladnenie, pokiaľ nepovažujeme za vhodnejšie odstúpiť od zmluvy.

6. BALENIE. Balenie sa fakturuje podľa nákladov a je vždy nevratné. Tovar sa dodáva zabalený na paletách na bežnú pozemnú prepravu.

7. ZÁRUKA. Na všetky naše materiály sa vzťahuje 12-mesačná záruka na materiálové alebo konštrukčné chyby od dátumu dodania. Naša spoločnosť bezplatne vymení alebo opraví, materiál, ktorý technici uznajú za chybný výlučne v našich priestoroch v Rivoli, pričom náklady na dopravu a vrátenie hradí zákazník. V tomto prípade sa záruka vzťahuje aj na vymenené diely. Všetky záruky prestávajú platiť v prípade, že opravy našich materiálov vykonali pracovníci, ktorí nie sú prepojení s našou spoločnosťou, a tiež v prípade, že sa zistí, že montáž bola vykonaná nesprávne, bez zohľadnenia príslušných pokynov, alebo že chýbali bežné opatrenia na údržbu alebo boli chybné. Záruka našej spoločnosti sa vzťahuje len na čistú hodnotu dodaného tovaru a nevzťahuje sa na prípadné nároky na náhradu škody.

8. SŤAŽNOSTI. Akákoľvek reklamácia väd alebo nedostatkov v kvalite alebo množstve tovaru nám musí byť oznámená písomne doporučenou poštou pod hrozbou prepadnutia do 7 dní od dodania tovaru. Akákoľvek reklamácia nás neoprávňuje na pozastavenie platieb.

9. VRÁTENIE MATERIÁLU. Vrátenie tovaru musí byť vopred dohodnuté a výslovne akceptované našou spoločnosťou. Vrátenie sa môže týkať len štandardného tovaru, nie materiálu vyrobeného na mieru podľa požiadaviek. Materiál musí byť vrátený do našich priestorov v pôvodnom a kompletnom balení. V každom prípade musí byť vrátenie vždy sprevádzané úhradou daňových a administratívnych nákladov vo výške 20 % hodnoty vráteného tovaru.

10. PLATBY. V prípade omeškania platby, aj keď len čiastočného, sa úrok z omeškania (podľa článku 1194 Občianskeho zákonníka) počíta vo výške oficiálnej diskontnej sadzby zvýšenej o 3 percentuálne body.

11. SÚDNE SPORY. V prípade akéhokoľvek sporu má výlučnú právomoc súd v Turíne.



GENERAL CONDITIONS OF SALE

1. CONDITIONS. The supply is made at the conditions agreed in writing. Any telephone or verbal agreement is without obligation. For all that is not explicitly agreed, the following general conditions apply.

2. DELIVERY. All materials supplied by us, unless expressly agreed otherwise, are always intended for ex-factory delivery. The goods therefore travel at the risk and peril of the customer, declining us any responsibility even if the transport is carried out at our care.

3. MINIMUM BILLABLE. We do not accept orders with a net billable amount lower than 150 euros. VAT and all other taxes are separate and charged to the customer.

4. TERMS. The terms for delivery are indicative and without any commitment whatsoever and shall commence upon the reception by us of the accepted and signed order confirmation. Any delays, whatever the cause, do not imply any right to compensation or interest unless explicitly agreed.

5. WITHDRAWAL GOODS. In the event that the buyer does not collect the goods within the expected delivery time, we will give notice of goods ready. After 8 days from the date of the notice, the goods will be kept at the disposal of the purchaser, debiting the storage costs, unless they consider it better to terminate the contract.

6. PACKAGING. The packaging is invoiced at cost and is always meant to be lost. The goods are delivered packed on pallets, for normal transport on land.

7. WARRANTY. All our materials are backed by warranty starting from the delivery date for 12 months against material or construction defects. Our company will provide free replacement or repair, at our headquarters in Rivoli, with shipping and delivery costs charged to the customer, if the material recognized as defective by the technicians. In this case the warranty extends to the replaced parts. Any guarantee in the case of repairs carried out on our materials by persons not belonging to our company ceases to exist, and also when it is established that the assembly has been improperly carried out, without taking into account the appropriate instructions, or the normal maintenance precautions are missing or faulty. The guarantee of our company does not concern that the pure value of the goods supplied, and does not extend to any claim of damage.

8. COMPLAINTS. Any claim for defects or defects in quality or quantity of goods must be notified in writing by registered mail, under penalty of forfeiture, within 7 days of delivery of the goods. Any dispute does not give the right to suspend payments.

9. MATERIAL RETURN. The return of the goods must be agreed in advance and expressly accepted by our company. The return may only relate to standard items and not custom material upon request. The material must be returned ex-works with original and complete packaging. However, the return must always be accompanied by the reimbursement of tax and administrative expenses equal to 20% of the value of the return.

10. PAYMENTS. In case of late payments, even if only partial, will default interest (as per article 1194 of the Italian Civil Code) commensurate with the official discount rate, increased by 3 percentage points.

11. JUDICIAL OFFICE. For any dispute, the Court of Turin will have sole jurisdiction.



FOCUS ON BUSBARS



Objavte celý sortiment na našej webovej stránke / Discover the full range on our website
www.graziadio.it alebo www.strader.sk



Graziadio & C.



YouTube



CondottiSbarra



graziadiobusbar